



Shaping the future.

Constantly **rethinking** the present is the best way to actively shape the future. To scrutinise the tried and tested to see if there is still room for improvement. This applies in particular to our products.

With our **new generation of UP¹ flush-mounting boxes**, we are providing more convenience and improved working ergonomics in our traditional business field of "electrical installation". We have taken the professional and efficient installation of flush-mounting boxes to a new level.

Our product developments for **cleanroom, damp room** and **timber construction** applications also offer you certified solutions for applications that go beyond the ordinary. Our new products also offer a wide range of applications for **fire protection** requirements under building regulations. Feel free to take a look at our new generation of **HWD 68+ fire-protection boxes**. In the same way, our **new tool programme** with cutters for professionals stands for robustness, easy handling and precise work results.

For **120 years**, KAISER has stood for "**The basis for a good installation**".

*Best regards,
Burkard and Ulrich Kaiser*



You can also find our products in our current **KAISER catalogue** and **handbook**.

Exciting news on all media platforms.

We continually provide you with exciting news in the KAISER newsletter and on our social media platforms. Here you can find out everything about products, event information and obtain insights into our company.



Innovations at a glance.

<p>Flush-mounting</p> <p>One-gang box UP¹ ECON[®] Fix 1055-26 Two-gang junction box UP¹ ECON[®] Fix 1555-26</p>	<p>Flush-mounting</p> <p>Electronics box UP¹ ECON[®] Fix 1068-26 Two-gang junction box UP¹ ECON[®] Fix 1656-26</p>	<p>Cavity wall</p> <p>Clean room one-gang junction box 9264-32</p>	<p>Cavity wall</p> <p>Installation housings O-range ECON[®] Universal 120 9273-50 Junction box Ø 120 mm O-range ECON[®] 9273-92</p>
<p>Cavity wall</p> <p>Damp room two-gang junction box 9264-42</p>	<p>Cavity wall</p> <p>One-gang junction box for solid wood 9274-22</p>	<p>Cavity wall</p> <p>90° wall and ceiling transitions 9261-20 / 9261-25</p>	<p>Fire protection</p> <p>PROTECT[®] multiple sealing 9459-15 PROTECT[®] cable sealing 9459-14</p>
<p>Fire protection</p> <p>One-gang junction box PROTECT[®] for solid wood elements 9464-05</p>	<p>Fire protection</p> <p>Fire protection one-gang box HWD 68+ / fire protection one-gang junction box HWD 68+ 9463-03 / 9464-03</p>	<p>Concrete construction</p> <p>Central transition casing 9914-10</p>	<p>Concrete construction</p> <p>B² conduit connectors 1261-21/-26/-32/-40 1263-32 1266-25 1262-20/-25/-32</p>
<p>Concrete construction</p> <p>Wall and ceiling transitions. 1261-82 /-83 /-84 /-92 /-93 /-94 /-95 /-96 /-97</p>	<p>Concrete construction</p> <p>System magnet adapter 1200-99 on request</p>	<p>Concrete construction</p> <p>One-gang box Flat 45, One-gang junction box Flat 45, Wall light connection box Flat 45 1256-01, 1266-01, 1246-01 Fixing and support element Flat 45/80 and 45/120 1256-08, 1256-12</p>	<p>Pluggable installation</p> <p>AK2 Data AT1960, 61, 62, 63, 58 AK2 DALI AT6510, 6328, 6504</p>
<p>Connectivity</p> <p>GRP mains distributor MD 48 4231011 GRP mains distributor MD 96 4231012 E3S Connect accessory box 4261011</p>	<p>Cable glands</p> <p>Pressure balance element steel A4 with membrane 2460.12.97.34 Cable glands Progress[®] EMV easyCONNECT stainless steel A2 with contact spring 1083....</p>	<p>Tools</p> <p>PROFI cutter 1081-10 /-20 EXPERT cutter 1082-30 /-40 Quick ejector 1083-81 Dust extraction 1088-50</p>	<p>Tools</p> <p>BASIC cutter Ø 35, 74, 79, 86 120 mm 1084-35 /-74 /-79 /-86 /-20 SPECIAL cutter Ø 68, 74, 20 mm Metal 1086-68 /-74 MDF 1085-68 WDV5 1088-06 /-07</p>

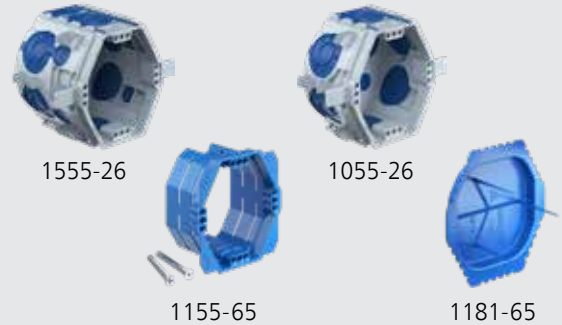
Flush-mounting



Our best flush-mounting box! One-gang and one-gang junction boxes UP¹ ECON[®] Fix.

An increased installation volume compared to conventional flush-mounting one-gang junction boxes enables convenient accommodation of conductors, connection terminals and installation accessories. The quick-fixing by means of ribs in all stones ensures up to 50% time savings during installation. The side-neutral and stable combination quickly allows multiple combinations to be created at 71 mm centre distance.

- 25% more installation volumes
- Plaster-free quick fixing by means of ribs
- Stable and side-neutral combination



Flush-mounting



Even more from the best. Electronics and two-gang junction boxes UP¹ ECON[®] Fix.

The **Electronics box UP¹ ECON[®] Fix** and **two-gang junction box UP¹ ECON[®] Fix** enhance the new UP¹ family. The ECON[®] UP¹ electronics box provides a generously-sized accessory installation compartment and additional space for fitting small switch actuators, for example. The matching separator wall allows the standardised installation of bus and operating voltage in one box.

The **ECON[®] UP¹ two-gang junction box Fix** it easier than ever to install special accessories. The large installation opening and the very large installation compartment make it possible to install block and pre-wired accessories, and they create space for the configuring of cables for multi-media connections.



Professional cleanroom installation. Cleanroom one-gang junction box.

With the new clean room one-gang junction box, KAISER offers the optimum solution for reliably maintaining tightness in clean rooms. Certified at the Steinbeis Transfer Centre STZ EURO in Offenburg in accordance with VDI 2083 Sheet 19, the one-gang junction box reliably prevents the transfer of airborne particles, viruses or gases and has been proven to maintain the highest tightness class (tightness class 7) of the clean room. Thanks to the peripheral sealing lip under the holding ring and the precisely fitting cable entries using the KAISER universal opening cutter, uncontrolled air exchange can be permanently prevented to protect against contamination. The safe solution - even after the requalification inspection!

- For professional installation in clean room walls and functioning containments
- Certified according to VDI 2083 sheet 19 (tightness class 7, extended class 11)
- Air-tight design with sealing membrane and peripheral sealing lip

certified according to
VDI 2083 Sheet 19



9264-32



Cavity wall

With universal screw-on surface. Installation housing O-range ECON® Universal 120.

With the new O-range ECON® Universal 120 installation housing, KAISER offers maximum flexibility on the construction site. The installation housing offers space for wiring an entire room unit and also allows the installation of various accessories or installation accessories. The toolless cable and conduit entries ensure for a particularly simple installation. The sealing membranes guarantee permanent air tightness and thus energy-efficient electrical installation in accordance with the Building Energy Act (GEG).

- For mounting accessories and installation accessories
- For individual round and cornered installation openings
- Toolless cable or conduit entries



9273-92



9273-50



Cavity wall

Cavity wall



certified according to
DIN 18534

Safe damp room installation. **Damp room one-gang junction box.**

The new damp room one-gang junction box from KAISER offers optimum sealing of electrical installations in areas exposed to splash water, process water and cleaning water. Thanks to the 5 cm peripheral adhesive collar, the damp room one-gang junction box can be easily integrated into the sealing layer (e.g. sealing slurry or sealing membranes) and maintains the protection goal of the wall. Uncontrolled moisture exchange is permanently prevented thanks to the precisely fitting cable entries created using the KAISER universal opening cutter.

- For installation in sealed interior rooms, such as commercial kitchens, bathroom modules or damp rooms in hospitals
- Watertightness certified according to DIN 18534
- Six air-tight and watertight cable entries



9264-42

Cavity wall



Efficient installation in timber construction. **Solid wood one-gang junction box.**

Our new one-gang junction box for solid wood enables significantly faster, easier and more efficient installation in **solid wood walls** with its lug-free rib fastening. Its innovative toolless cable entry, provides compensation in the event that drill holes are drilled out of their direction. Cable routing and clean installation in the installation opening are guaranteed, even in exposed wood quality. The box is simply pressed into the **Ø 74 mm installation opening** of the solid wood wall using the setting tool (Art. No. 1090-12).

- Clamping rib fastening for quick installation
- Four screw domes
- Eight air-tight, toolless cable entries



1090-12



9274-22

For prefabricated house and modular construction. **90° wall and ceiling transitions.**

The new KAISER 90° wall and ceiling transitions for prefabricated house and modular construction guarantee an air-tight component seal at transition points and solve the problem of protruding electrical installation conduits. This ensures smooth transport of the wall elements or modules to the construction site and eliminates the additional work step of sealing the transition point on site. The innovative transitions for front or rear installation of the empty conduit system in serial production ensure flexible cable entry from both directions. The 90° bend and clean catch mechanism to the wall connection element prevent abutting edges. Thanks to the multi-piece design, optimum integration into modern production processes is possible.

- For air-tight connecting of electrical installation conduits at transition points
- Air-tight component closure for front and rear installation in the boarding of wall elements or modules
- Flexible cable pull-in from both directions thanks to 90° bend without abutting edge



Fire protection sealing **B15 PROTECT® cable sealing and multiple sealing.**

The B15 PROTECT® multiple and cable sealing not only guarantee fire protection in **shipbuilding walls and ceilings**, but also in **cross-laminated timber elements**. Fire, smoke and high temperatures are prevented from spreading due to the intumesce material that forms an insulating layer in the event of fire. Cable entries are safely, permanently and reliably sealed with the B15 PROTECT® multiple sealing and B15 PROTECT® cable sealing, thereby guaranteeing a room sealing in shipbuilding walls with B15 character and in cross laminated timber walls **F30-B to F90-B** up to with a minimum wall thickness of 100 mm or **F120-B** with a minimum wall thickness of 120 mm.

- Available as a single or multi cable entry
- Installation diameter 30 or 50 mm
- Maintains the sound insulation protection of the wall



Fire protection



9464-05

Safe installation in timber construction. One-gang junction box Solid wood PROTECT®.

It enables standardised installation without additional cutting in exposed wood quality. Thanks to the innovative cable entries, it offers compensation for the installation tolerances that arise when routing cables in the solid wood element. In addition, the PROTECT® solid wood fire protection one-gang junction box maintains the fire resistance of the solid wood element from **F30-B to F120-B** without the need for additional encapsulation.

- Maintains the fire resistance duration **F30-B – F120-B**
- Quick, toolless installation thanks to rib fastening
- Innovative cable entry enables tolerance compensation of the cable route

Fire protection



Sound reduction value
69 dB



9463-03

9464-03

Safe installation in drywall. Fire protection one-gang and one-gang junction boxes HWD 68+.

With a standard installation dimension of **68 mm**, the new HWD 68+ fire protection one-gang junction boxes offer the convenience of six usable toolless **conduit and cable entries** as well as maintaining the sound insulation value of up to 69 dB in fire protection walls. Fully insulated through-wiring of adjacent boxes is possible by using the support connector (Art. 9060-68).

DIBt approval
Z-19.21-2693

- For fire-protection walls **F30 – F90** and/or **E130 – E190**, as well as **F30-B – F90-B**
- Maintains the sound insulation protection of the wall
- Toolless cable and conduit entry
- With fire-protection cover Art. No. 1184-94 can also be used as a junction box.
- Combinations up to 3-way
- Six line and two conduit entries



For universal conduit entries. Central transition casing.

The new central junction box for use in **on-site mixed concrete ceilings** or factory prefabricated element ceilings is used for centralised joining of conduits of different diameters. As a central entry point, it enables a clean transition to electrical circuit distributors and cable routing systems, allowing, for example, all supply lines required for the electrical installation of a flat to be brought together at one transition point.

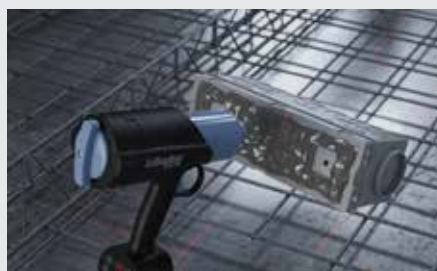


9914.10

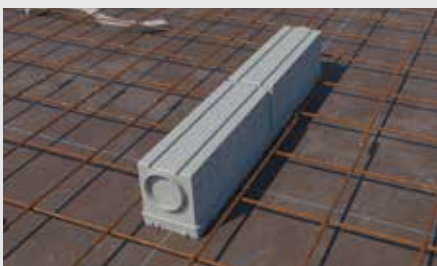
- For the exit of several cables
- Conduit entries for Ø 20, 25, 32, 40, 50 and 63 mm
- Positioning of the conduit entries above the first reinforcement layer or the top of the filigree ceiling



Fixing by means of KAISER System magnet (Art. No. 1299-69) and system magnet PLUS (Art.No. 1299-70).



Fixing by means of hot glue.



If required, several central transition casings can be lined up next to each other.



Numerous entries for conduits from Ø 20 mm to Ø 63 mm.



The central transition casing for the exit of several cables.

Concrete construction



Process reduction in factory production. **B² conduit connectors.**

The range of B² conduit connectors offers a secure and toolless conduit connection to B² one-gang junction boxes without the need for special tools. The conduit connection created using a conduit connector is absolutely sealed against concrete and safely dampens the vibrations of the conduit during the compaction process. As the conduit connection is made outside the B² one-gang junction boxes, no conduit protrudes into the interior of the box, thus eliminating the need to shorten conduits on the inside. With the new 90° conduit connectors, lateral conduit connections can now also be easily implemented in tight installation areas.



Conduit connector 90°

Art. No. 1262-20, -25, -32

Conduit connector

Art. No. 1261-21, -26, -32, -40

Conduit connector 60°

Art.-Nr. 1266-25

Conduit transition coupling 32 mm

Art.-Nr. 1263-32

Concrete construction



For connecting conduits at transition points. **Wall and ceiling transitions.**

For the first time, the new end and transition bushes and ceiling transitions 30° and wall and ceiling transitions 90° allow the automated positioning and fastening of conduit connections in precast concrete elements. The integrated slot for the system magnets (Art. No. 1299-69) and system magnet PLUS (Art. No. 1299-70) enables a safe, formwork-flush fit on the horizontal steel formwork for the circulation systems used in the concrete plants. The new articles also provide alternative options for fixing to formwork. They can be fixed using hot glue, steel nails and even for overhead installation in solid wall elements using Prefix® Universal supports (Art. No. 1261-00).



1261-82 / -83 / -84

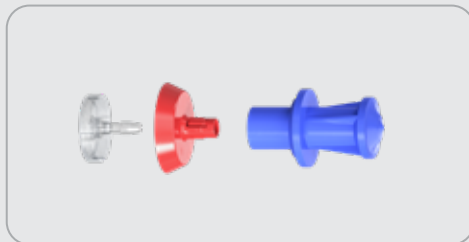
1261-92 / -93 / -94

1261-95 / -96 / -97

For the inclined support attachment.

System magnet - adapter.

In order to be able to automatically integrate not only the electrical installation components but also the mounting dowels for setting up the wall elements on the construction site into the factory production process in concrete wall production, there are new system magnet adapters. These are matched to the available inclined prop mounts on the market and thus enable the complete factory integration of all components required for a wall element.



1200-99 |
on request



Concrete construction



Secure hold flush with the formwork in automated production systems.

48.5 mm extension element for system magnet.

The new 48.5 mm extension element for precast concrete enables automated positioning and fixing of electrical installations on the opposing formwork side in solid concrete walls as well as double concrete walls. The integrated slot for the system magnets (Art. No. 1299-69) and system magnet PLUS (Art. No. 1299-70) offers a safe, formwork-flush fit on the horizontal steel formwork for the circulation systems used in the concrete plants. At the same time, the tried-and-tested B² push-button connection ensures a secure connection to all B² one-gang junction boxes and B² extension elements and thus enables overhead installation from a wall thickness of 100 mm.



1261-02



Concrete construction



The system for serially pre-fabricated room modules made of concrete.

System Flat 45.

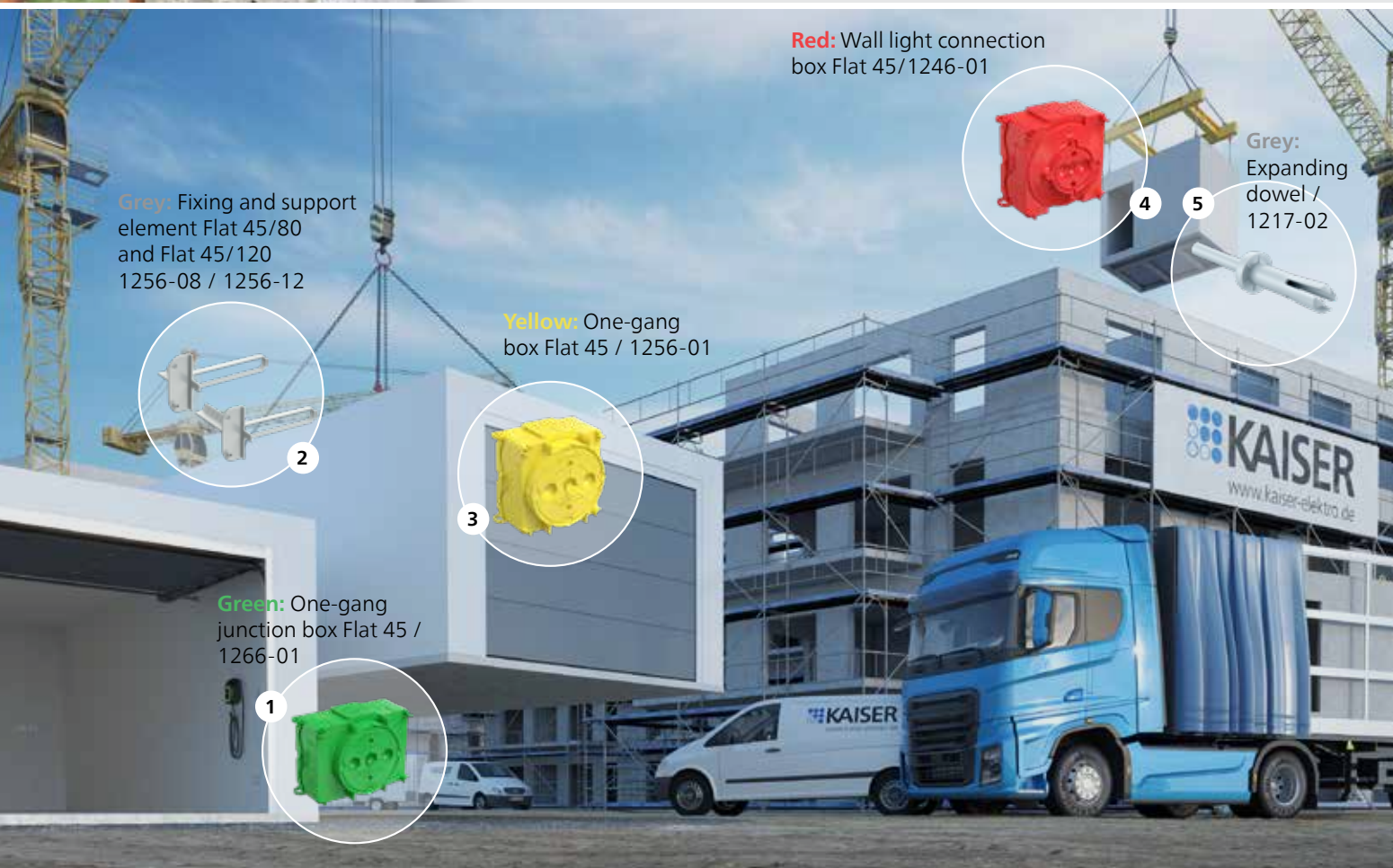
The new Flat 45 system makes electrical installation in modular, industrially produced room systems simpler, more flexible and more economical. With its low installation depth of 45 mm, the Flat 45 one-gang, one-gang junction and wall light connection box is specially adapted for the factory production of complete modules with low wall thicknesses. For secure fixing to the formwork using expansion dowels, rivets and threaded screws, they have fixing options at the front and rear. Exact positioning on the reinforcement with support element on the rear abutment between the two formwork sides is made possible by special fixing and support elements with lateral connectors and support elements for wall thicknesses of 8 and 12 cm.



Prefabricated bathroom



Prefabricated garage



Grey: Fixing and support element Flat 45/80 and Flat 45/120 1256-08 / 1256-12

Yellow: One-gang box Flat 45 / 1256-01

Red: Wall light connection box Flat 45/1246-01

Grey: Expanding dowel / 1217-02

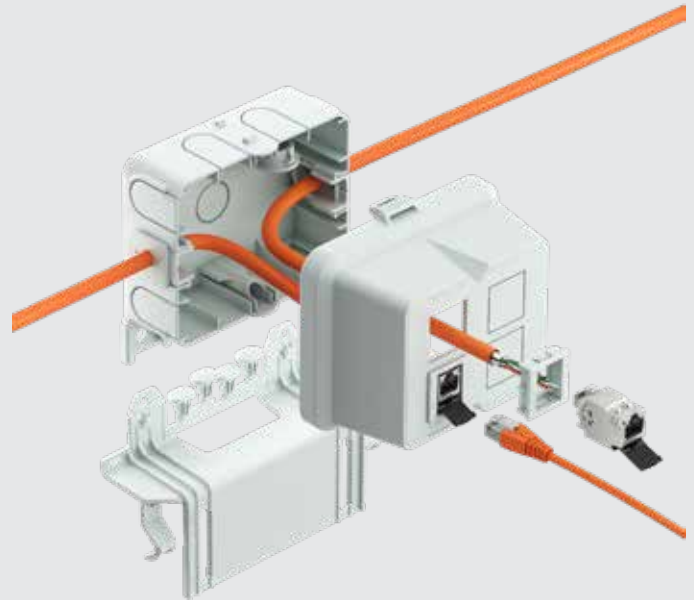
Green: One-gang junction box Flat 45 / 1266-01

Distribution box for data networks.

AK2 Data.

The components of the AK2 Data series offer a modular system for creating a network infrastructure. Based on the AK2 modular system, the housings are specially designed for the insertion of data cables and accommodation of RJ45 modules in Keystone format. Installation is virtually toolless, quick and easy, enabling a wide range of applications in office buildings and industrial plants.

- Front part equipped with break-out openings for adapters to accommodate Keystone modules.



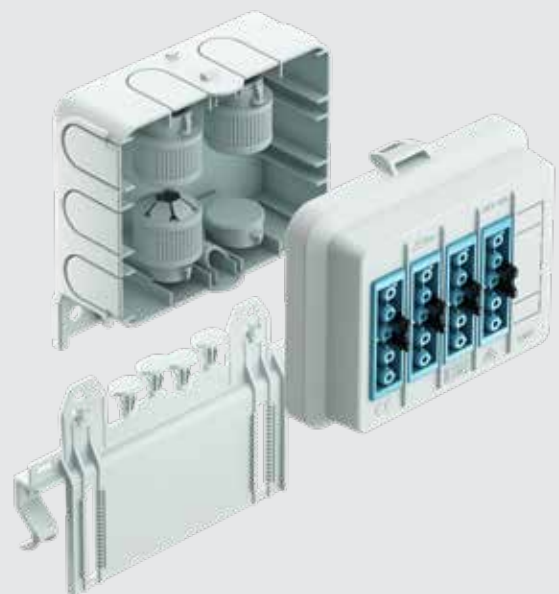
AT1960, 61, 62, 63, 58

Distributor housing for lighting control systems.

AK2 DALI.

The front parts of the AK2 DALI series offer solutions when lighting control in building installation technology is implemented using the DALI standard. In the same way the lighting components have a DALI interface, the front parts are also equipped with DALI connectors. This means that the AK2 modular system can be used to implement flexible applications in building automation, for example to quickly and easily wire and individually control groups of luminaires.

- Prefabricated with 5-pin snap-in sockets for DALI applications
- Connectors are self-locking, can be released with tools
- Prefabricated with halogen-free connection wires 2.5 mm²



AT6510, 6328, 6504



KAISER connectivity

Solutions for a professional fibre-to-the-home network.

Fibre-optic technology is today's state-of-the-art cabling technology for telephony, Internet and television not only in the wide-area network and street distribution but also in the building distribution right down to the residential unit. Fibre-optic cables transmit data optically at the speed of light. At the same

time, fibre-optic technology offers a far higher bandwidth compared to conventional copper transmission technology. This enables the transfer of a significantly larger amount of information or data per unit of time.

Connectivity



E3S Connect® accessory box.

The E3S Connect® accessory box is a comprehensive collection of tools, spare parts and cleaning equipment, specially developed for electricians and electrical installers working with the E3S Connect® system. This box offers a range of products to help you do your work more efficiently and reliably.

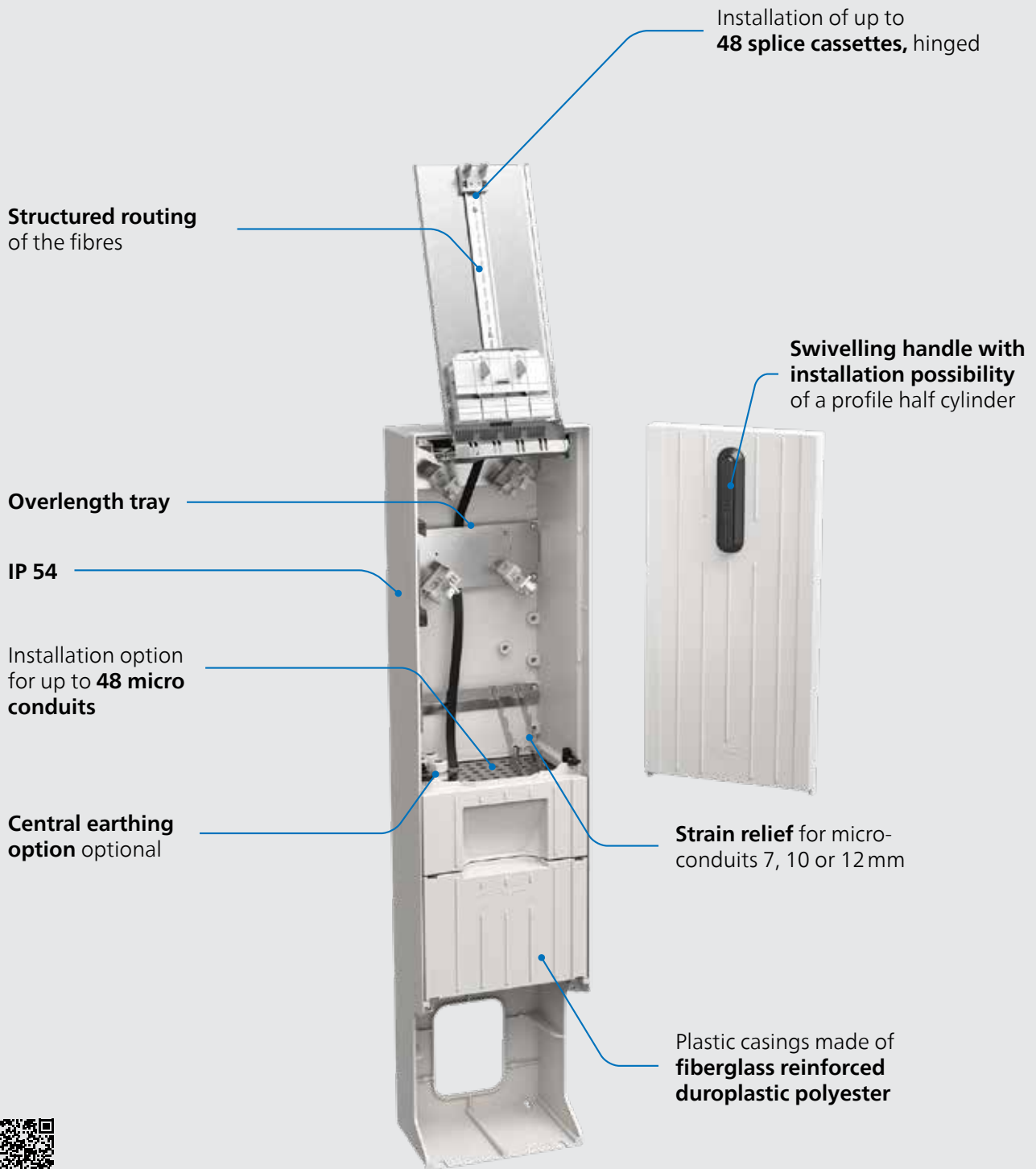


4261011

GRP mains distributor MD 48.

The fibre optic mains distributor (OF-MD) is the distribution point for the fibre optic cable between the PoP* and house. It can be used for above-ground distribution as it is weatherproof.

It offers the possibility of carrying out subsequent splicing work without the need for excavation work. The subsequent blowing in of branch cables is also no problem.



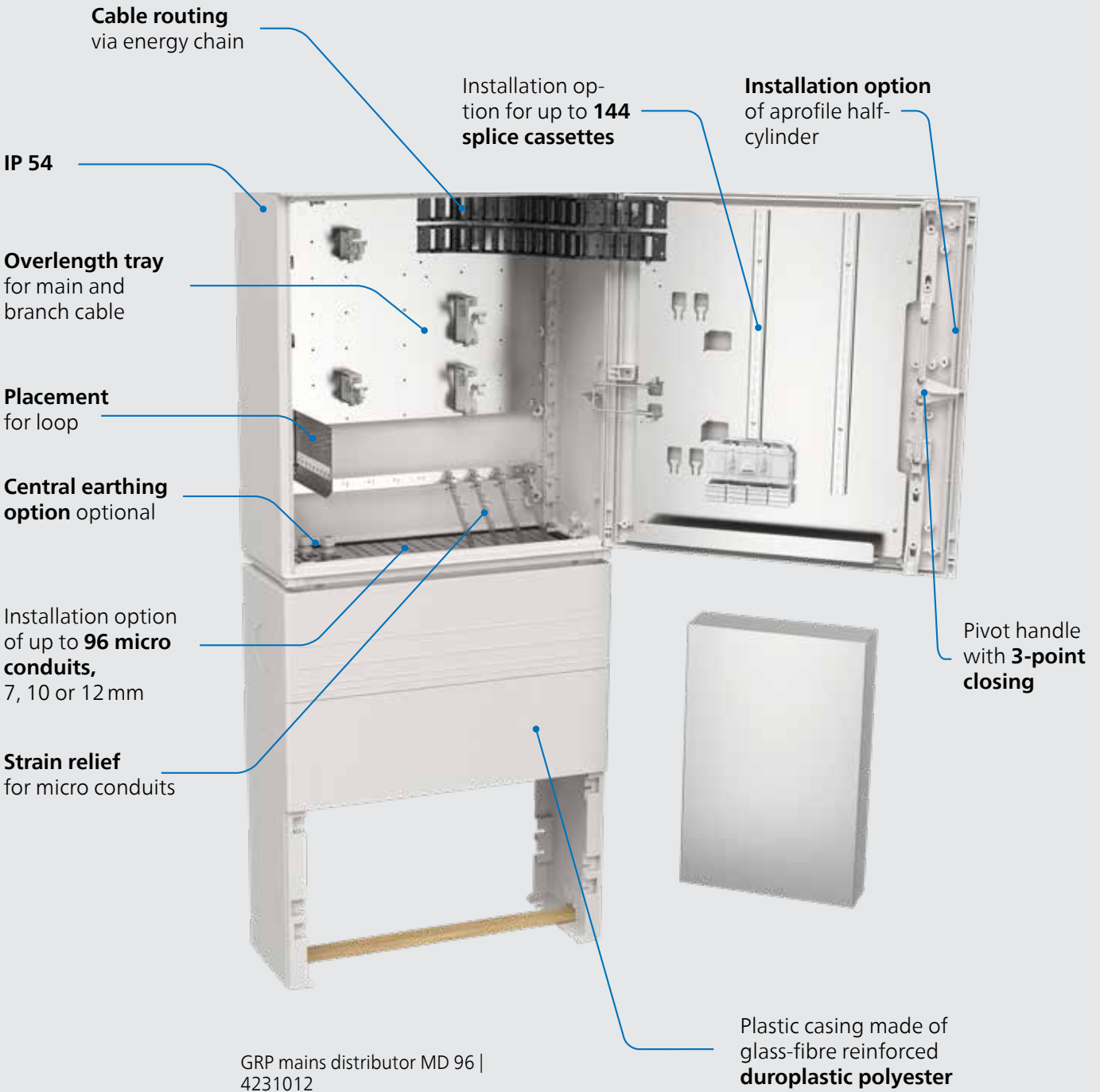
GRP mains distributor MD 48 | 4231011

* Point of Presence, different designation for the switching station

GRP mains distributor MD 96.

The fibre optic mains distributor (OF-MD) is the distribution point for the fibre optic cable between the PoP* and house. It can be used for above-ground distribution as it is weatherproof.

It offers the possibility of carrying out subsequent splicing work without the need for excavation work. The subsequent blowing in of branch cables is also no problem.



* Point of Presence, different designation for the switching station

Impact-resistant with high-performance membrane. Pressure equalisation element A4 steel with membrane.

Whether traffic control and signalling technology, distributor housings, rail vehicles or solar systems: They all have to be able to withstand wind and weather, heat and rain. The same applies to their electronics or electrics. Air pressure, temperature and humidity are constantly changing. Many electrical housings are generally sealed against water and dust (IP 68), but however, are not gas-tight. This in turn leads to the introduction of humidity, which begins to condense when the temperature drops below the dew point line. The water that is now present often leads to corrosion and malfunctions. This can be successfully prevented by installing pressure balance elements.

- High impact resistance in accordance with EN IEC 62262 in the high class IK10
- Unique temperature range from -40 °C to +150 °C
- The high-performance membrane ensures for rapid air exchange
- Very high degree of protection IP 66 / IP 68 (0.5 bar / 1 h) / IP 69 / IP 6K9K

2460.12.97.34



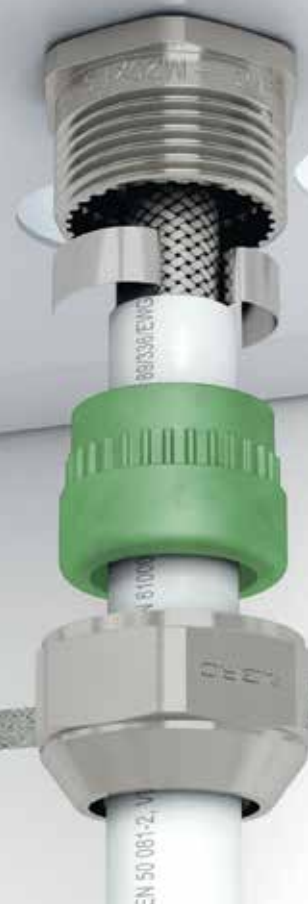
EMC cable glands. Progress® EMC easyCONNECT stainless steel A2.

Quick, safe and convenient installation thanks to an innovative contact spring in the stainless steel or brass version. The cable glands Progress® EMC easyCONNECT guarantee full control during installation and compensates for tolerances in shielding thicknesses to make a secure screened tap connection. The spring system provides for a very good contact of partially stripped shielding cables equally as well as for the contact of completely exposed cable shields which can be routed further.

- EMC cable glands for interference-free cable installations thanks to innovative contact spring
- Time-saving and safe installation
- For stripped and continuously shielded cables
- FPM sealing insert
- Very high chemical resistance
- Stainless steel A2



1083...



Now lets go **round** using the **triangle**.
Trilo - the new generation of cutters.



Longer tool life thanks to new cutting geometry.

PROFI Cutters.

The new **PROFI cutter** is the ideal tool for creating installation openings in drywall. The fine saw teeth and precise drilling diameter are perfectly matched to the installation of KAISER boxes. The **innovative Trilo geometry** of the cutter head ensures an improved service life. In combination with the new centring drill, reliable ejection of the drilled core is possible and facilitates fast work.

- Longest tool life thanks to new cutting geometry
- Efficient working due to easy / reliable ejection of the drilled core
- Dimensionally accurate work for cavity wall installation



1081-10 / -20



Longest service life thanks to carbide teeth.

EXPERT Cutters.

The new **EXPERT cutter** is the ideal tool for creating installation openings in drywall with increased requirements. Carbide teeth enable use in hard materials and guarantee maximum operating life. The high dimensional accuracy guarantees precise and professional installation of KAISER boxes.

- Longest service life thanks to carbide teeth
- Faster installation thanks to reliable drilled core ejection
- Multifunctional use in almost all boarding materials



1082-30 / -40





For cavity wall cutters.
Trilo quick ejector.

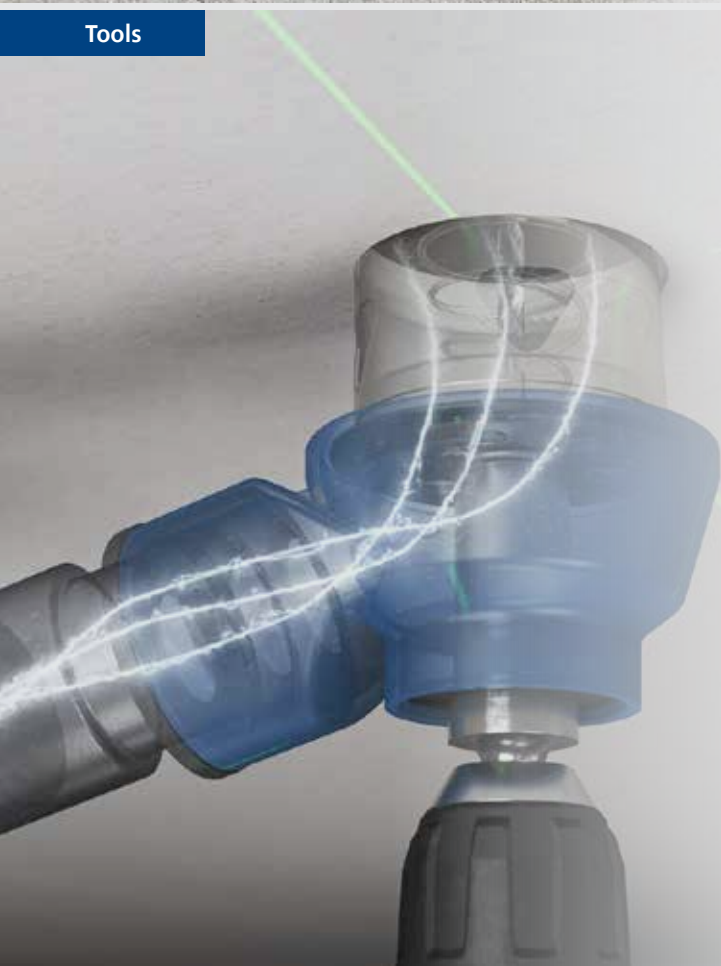
The quick ejector enables the drilled core to be ejected quickly and reliably using the safety push handle. The adapter allows different cutter heads to be picked up and easily changed depending on the application.



1083-80



1083-81



Prevent dust from forming
 in the first place.

For cavity wall cutters.
Trilo dust extraction.

The dust extraction system for cavity wall cutters effectively prevents the formation of dust when creating installation openings for installation boxes in drywalls or recessed lights in suspended ceilings.



1088-50



The new product range overview KAISER cutters

	Ø 20 mm	Ø 35 mm	Ø 68 mm	Ø 74 mm	Ø 79 mm	Ø 86 mm	Ø 120 mm
PROFI			 1081-10	 1081-20			
EXPERT			 1082-30	 1082-40			
BASIC		 1084-35		 1084-74	 1084-79	 1084-86	 1084-20
SPECIAL	 1088-06		 1086-68	 1085-68	 1088-07	 1086-74	
Accessories	 1088-50 Dust extraction	 1083-81 Quick ejector	 1083-... Distance cutter, Profix	 1090-68 WDVS centering aid	 1083-99 Centering insert 68/74		

Innovative range of cavity wall tools.

With a new range of tools, KAISER is making the installation of installation boxes, built-in luminaires and luminaire housings even easier and safer for the electrical trade.

- Simple and safe installation thanks to coordinated system tools
- Precise and time-saving work
- Innovative **Trilo** technology for greater precision of installation openings and better dust extraction
- Time-saving quick ejectors
- PROFI, EXPERT, BASIC and SPECIAL series - the right cutter for all applications





Well informed. KAISER Service.

When you decide to use KAISER products, you always receive comprehensive service as well. This allows both you and your customers to take advantage of all the benefits we offer.

Videos on products and applications
Helpful tips & tricks for your everyday work. Here we clearly show all product and processing advantages, installation instructions, certificates and declarations of performance as well as conformity that make the product perfect.
Intelligent product filters in the online catalogue help you with your product

selection. Our BIM data, tender texts and CAD data are important building blocks for your digital planning.

- Online product catalogue
- Download of digital media
- Seminars, trade fairs and events
- Technical sales and service consultation
- Article master data and price information
- Tender texts
- BIM data
- CAD data



BIM



Videos

Our films/videos - product features at a glance



For any products where you find this icon, we provide informative films about the installation and function of many products and system solutions on our website as well as on our YouTube-channel.



Article data

Article master data in the formats: ETIM, Eldanorm, Datanorm and Excel as well as prices for our products can be found in the service area on our website. Using the ELBRIDGE interface, you conveniently transfer your product selection to the electrical wholesaler.



Training courses

Qualified training courses on KAISER product and system solutions at our premises or at your location upon request. Please contact us.



Online / Service

Planning documents and product information

KAISER provides BIM and CAD data as well as tender texts and EPLAN data on leading platforms to optimally support our customers and partners in the planning and implementation of projects.

The most important websites at a glance:

- www.kaiser-elektro.de
- www.youtube.com/kaiserelektro
- kaiser.partcommunity.com
- www.ausschreiben.de
- www.eplandataportal.de/agro
- www.kaiser-elektro.org/elbridge

Solutions and systems for professional installations.

KAISER has been developing and producing systems and products as the basis for professional installation work since 1904. Planners and fitters all over the world use our practice-oriented solutions for their daily work in all installation areas.



Electrical installation.

Innovative, safe and economically viable solutions for a wide range of applications in buildings and ships. They make daily work easier and ensure safe, sustainable installation results in both traditional and pluggable electrical installations.



Connectivity / fibre-optic broadband expansion.

A practical, innovative solution offering for professionals. From street distribution to building distribution to flat distribution, pluggable and prefabricated, ready-to-splice products are available for efficient installation.



Cable glands / industrial products.

AGRO cable glands made from plastic, brass or stainless steel for the highest quality and practicality. The complete range for trade and industry also includes products with enhanced requirements (EMC, EX), elbow cable glands or universal and multi-cable entries.

Technical information and advice

All further information on products, system solutions and communication media can be found on website: www.kaiser-elektro.de

For additional questions or information, our team of technical consultants will be happy to assist you and look forward to talking to you: **+49 (0) 23 55 / 809-61 · [technik@kaiser-elektro](mailto:technik@kaiser-elektro.de)**

KAISER GmbH & Co. KG

Ramsloh 4 · 58579 Schalksmühle

GERMANY

Tel.+49 (0) 23 55 / 809-0 · Fax+49 (0) 23 55 / 809-21

www.kaiser-elektro.de · info@kaiser-elektro.de

