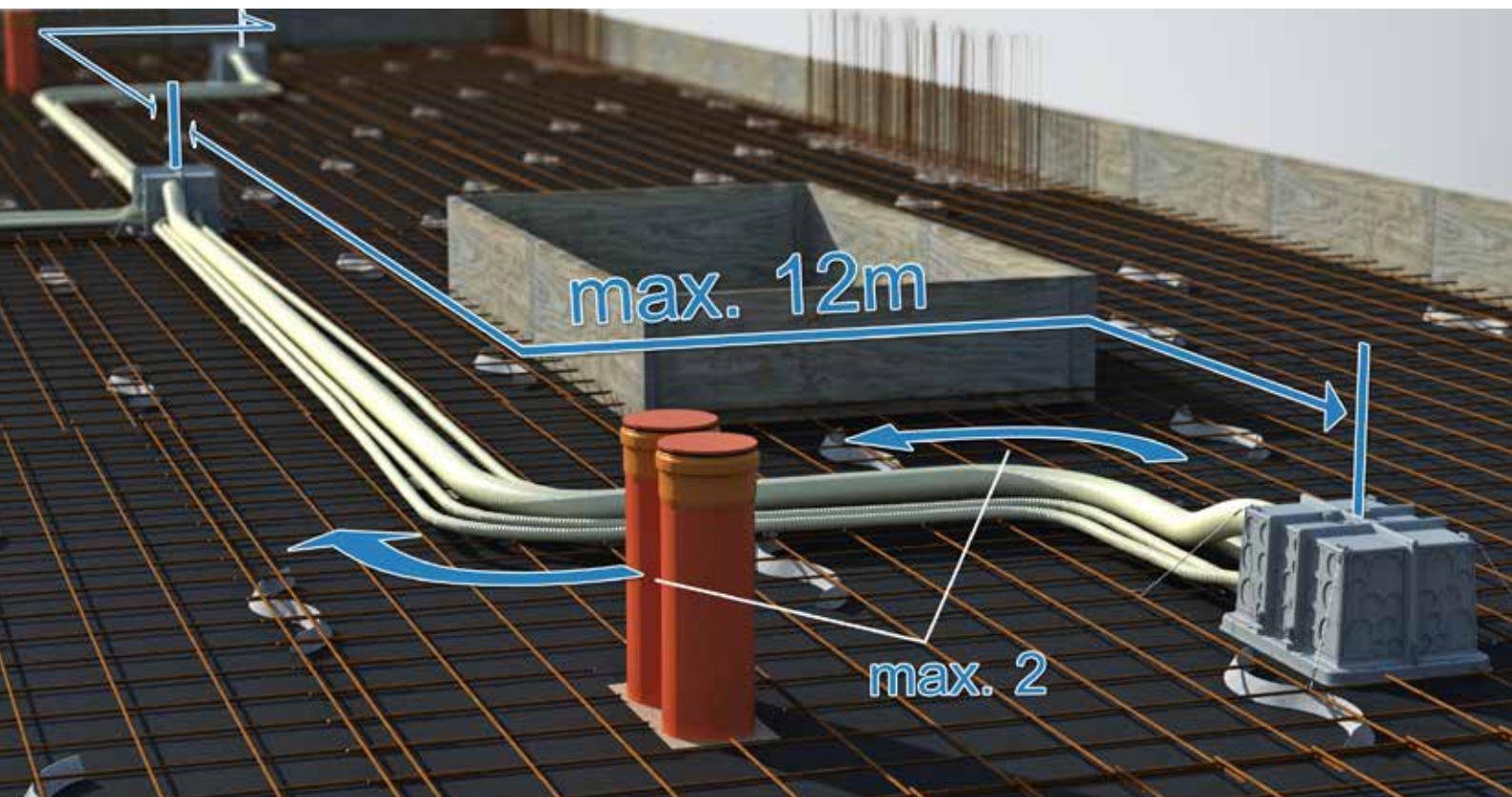
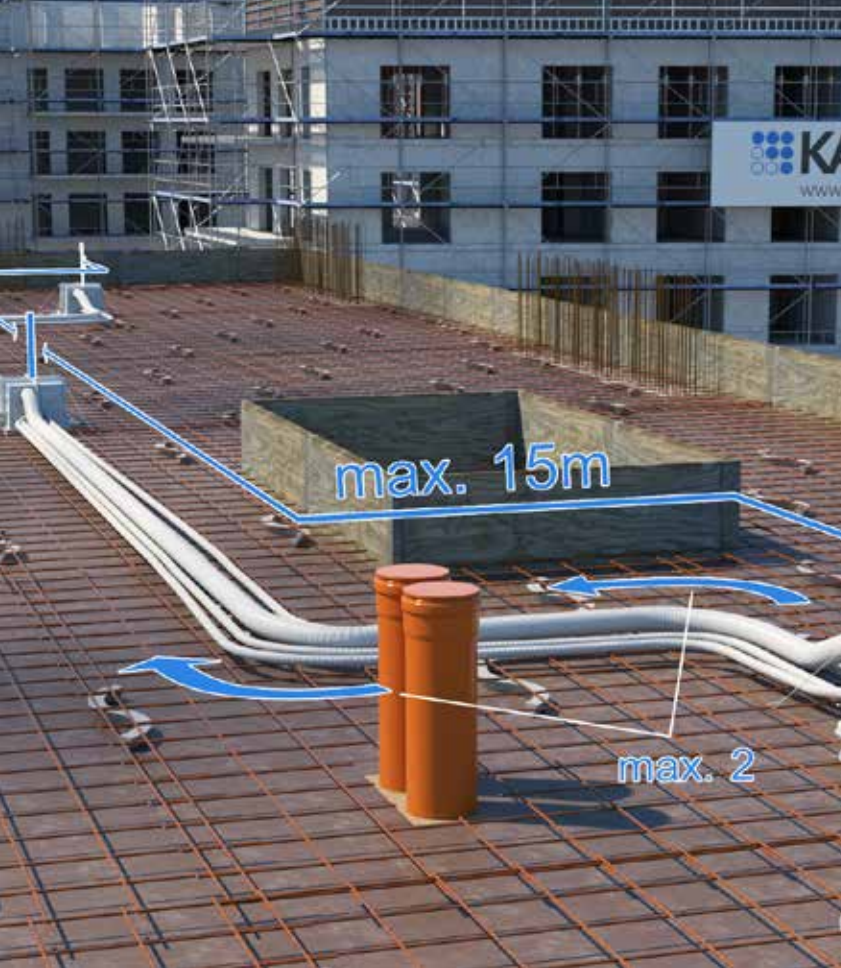


Wire-pull and junction casings.

For continuous empty conduit installation.

Housing system for concrete ceilings and walls.





Wire-pull and junction casings.

For continuous empty conduit installation.

KAISER wire-pull and junction casings ensure professional cable routing through conduit networks. According to DIN 18015-1, conduit lengths of more than 12 m as well as more than two bends require wire-pull casings which allow for the re-tightening or retrofitting of electric cables at any time. Wire-pull and junction casings provide multiple conduit entry options and maximum free space to ensure a continuous cable network, including with subsequent changes to the installation.

- Quick and secure installation with pre-installed nails
- Clean formwork removal where facing concrete is required
- High dimensional stability, no internal support required
- Versatile conduit entry options
- Simple mounting in the wall using Prefix® installation technology
- Stackable



Wire-pull casing
9916.21



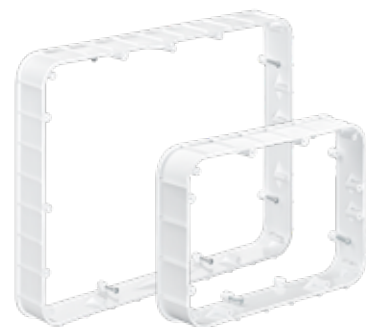
- 1 Fastening to the ceiling formwork occurs by means of 8 pre-installed nails. The nail domes have a predetermined breaking point, so that the nails are removed together with the formwork removal.
- 2 Tie lugs attached to the rear wall provide additional security during fixing if extreme loads are expected.

- 3 The conduit entries can easily be opened using a step drill or hammer and screwdriver. If multiple different conduits are entered, the side walls can be removed with one blow of the hammer.
- 4 Also suitable for wall mounting – to be fixed to the reinforcement via Prefix® installation technology.

The **wire-pull casings** are available in two sizes and are each available in a deep as well as shallow version. They are suitable for installation in ceilings as well as walls. A wide range of entry options for conduit diameters from M20 to M50 are marked on the sides of the boxes. Large break-out openings can also be used for multiple occupancy, which are then sealed again with installation foam.

KAISER also has matching **screw-on and waterproof covers** in the programme so that the room-side cover of the wire-pull casings can be adapted to any installation situation. Due to the high dimensional stability of the wire-pull casings, no internal support is required.

The **extension frame** is always used when insulation is retrofitted and the height of the casing needs to be adjusted accordingly. The frame is 45 mm high and can be increased to any height by rotating it 180°, so that even greater insulation thicknesses are no problem.



Wire-pull and junction casings. At a glance.

Wire-pull casings

Wire-pull casing

Art. no. 9916



Wire-pull casing

Art. no. 9916.21



Wire-pull casing

Art. no. 9917



Wire-pull casing

Art. no. 9917.21



Universal installation housings

Universal installation housings

Art. no. 1298-37
250x180x135 mm



Universal installation housings

Art. no. 1298-38
250x180x200 mm



Universal installation housings

Art. no. 1298-34
400x300x135 mm



Universal installation housings

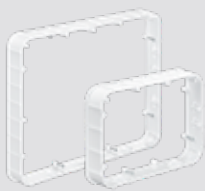
Art. no. 1298-35
400x300x235 mm



Accessories

Extension piece

Art. no. 9917.68 / 9916.68



Prefix[®] wing set

Art. no. 9940..



Plaster cover

Art. no. 9917.06 / 9916.06



Screw-on cover

Art. no. 9917.02 / 9916.02



Waterproof cover

Art. no. 9917.03 / 9916.03



Technical information and advice

All current further information on products, system solutions and communication media can be found on our website at www.kaiser-elektro.de

For additional questions or information, our team of technical consultants will be happy to assist you and look forward to talking to you:

+49 (0) 23 55 / 809-61 · technik@kaiser-elektro.de



Product video
Installation

KAISER GmbH & Co. KG

Ramsloh 4 · 58579 Schalksmühle

GERMANY

Tel.+49(0)2355.809.0 · Fax+49(0)2355.809.21

www.kaiser-elektro.de · info@kaiser-elektro.de

 **KAISER**
The basis for good installation