

# UPDATE



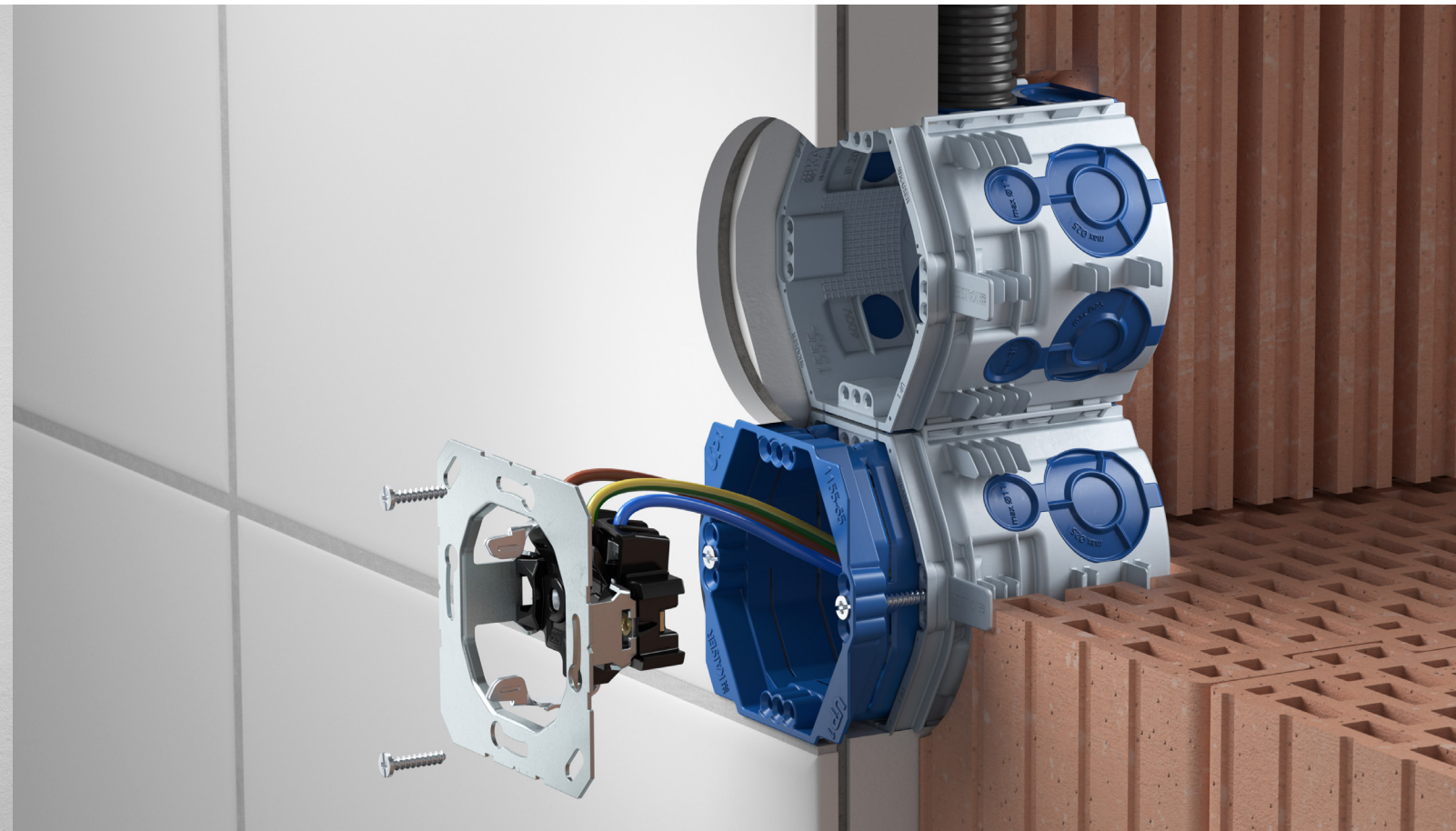
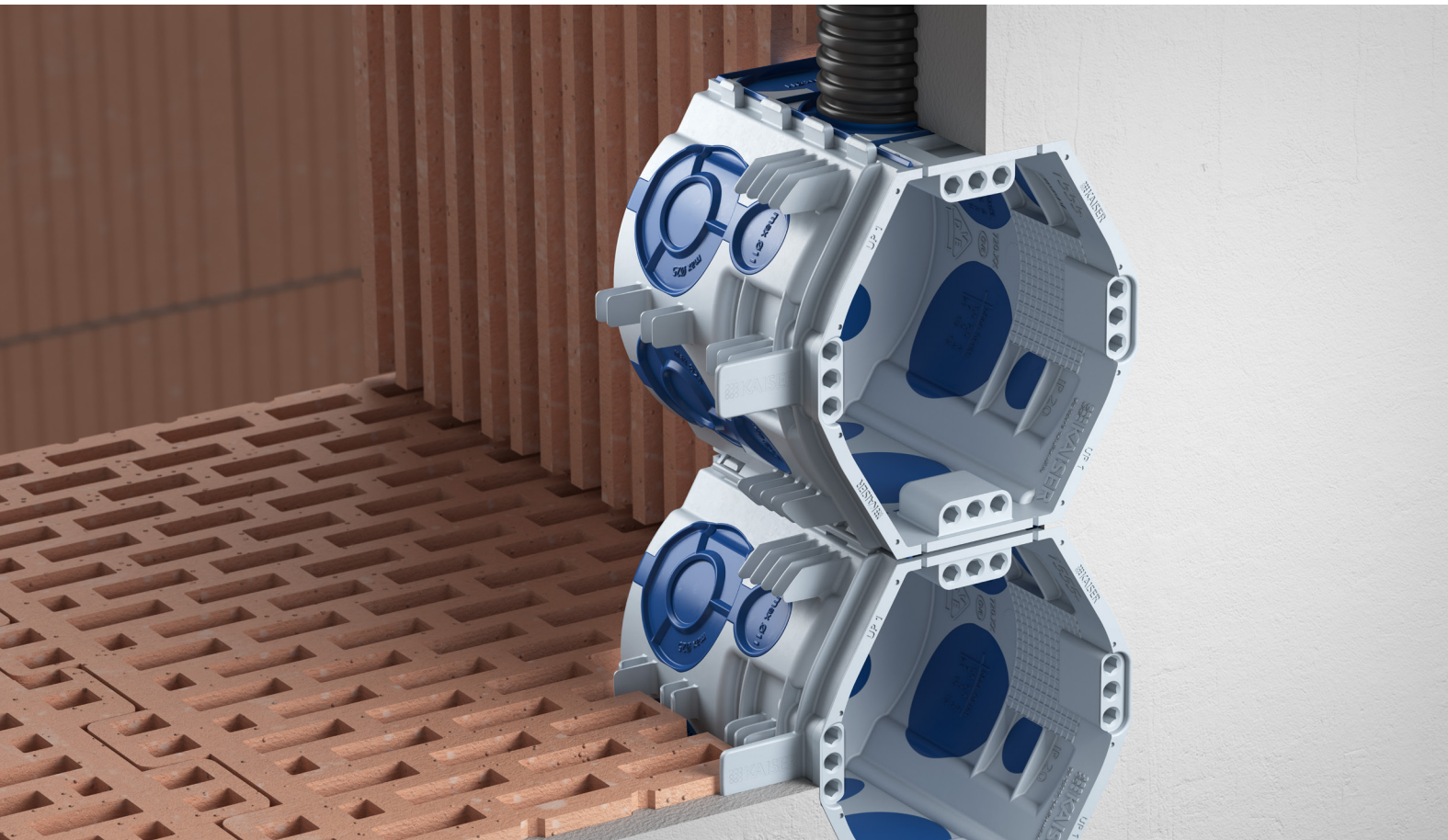
# UP1

101%  KAISER

Our best **FLUSH-MOUNTING** box.  
Now with double and electronics box.







# The system **UPdate** for your optimal installation.

# **UP<sup>1</sup>**. The new standard for **FLUSH-MOUNTING** boxes.



To the trailer

**Open through-wiring, breakaway separator and conduit entry**  
Device connection without spatial separation

**50 % time saved**  
Secure fixation in all stones without plaster or similar  
Additional fixing with PU foam possible

**Depth stop**  
Ensures minimum plaster thickness

**Stable and side-neutral combination**  
Safe combination over the complete box body

**25 % more installation volume than for Art. no. 1555-21**  
Convenient accommodation of leads, Connecting terminals and installation accessories

**Expanding claw fields**  
Secure and flexible accessory fixing

**4x3-fold screw domes**  
Secure and flexible accessory fixing

**Triple conduit feeding M25 from one direction**  
No restriction of conduit feeding, e.g. next to doors

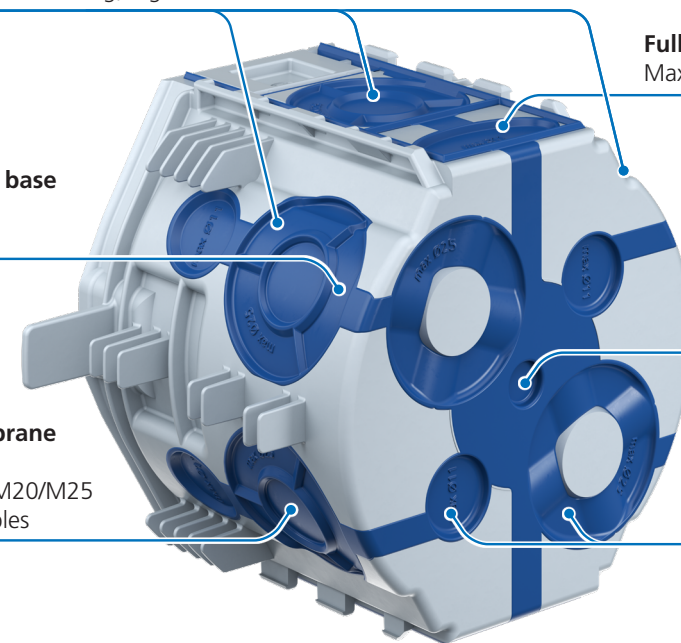
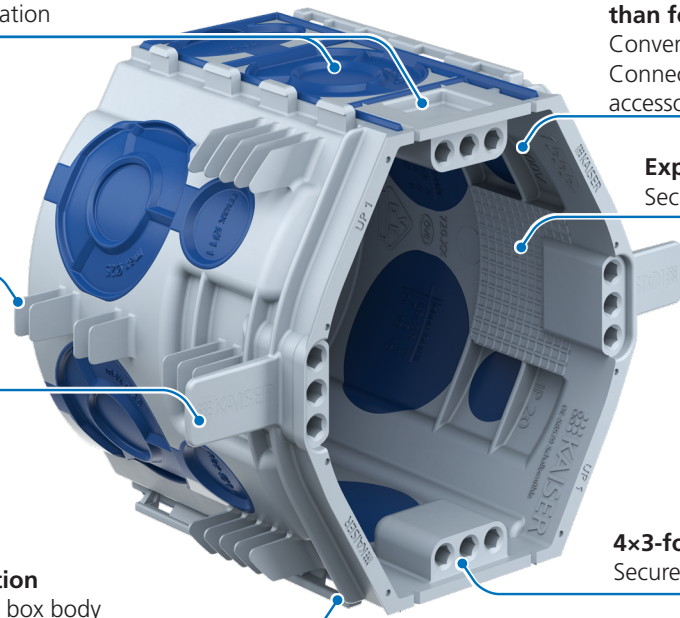
**Entries close to the base**  
Maximum usable wiring space

**ECON® Multi-Membrane**  
Air-tight and toolless insertion of conduit M20/M25 or several electric cables

**Fully insulated through-wiring close to the floor**  
Maximum usable wiring space

**Central TPE membrane in the bottom of the box**  
Can fixation possible by means of PU foam

**2 electric cable and 2 conduit entries in the bottom of the box**  
Hard component in the conduit entries secures the inner volume against pressure from plaster or expanding PU foam



Diagrams show the one-gang junction box UP<sup>1</sup> ECON® Fix

One-gang box UP<sup>1</sup> ECON® Fix Art. no. 1055-26

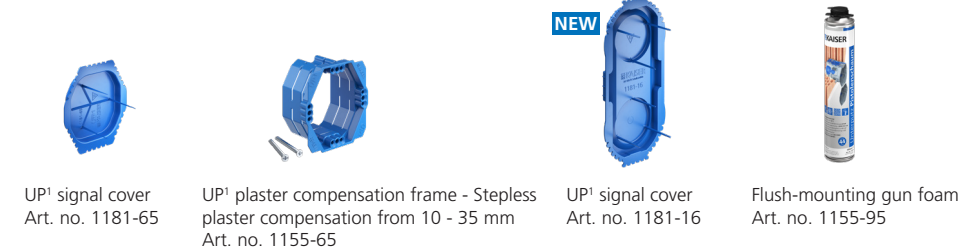
One-gang junction box UP<sup>1</sup> ECON® Fix Art. no. 1555-26

**NEW**

Two-gang junction box UP<sup>1</sup> ECON® Fix Art. no. 1656-26

**NEW**

Electronics box UP<sup>1</sup> ECON® Fix Art. no. 1068-26



UP<sup>1</sup> signal cover Art. no. 1181-65

UP<sup>1</sup> plaster compensation frame - Stepless plaster compensation from 10 - 35 mm Art. no. 1155-65

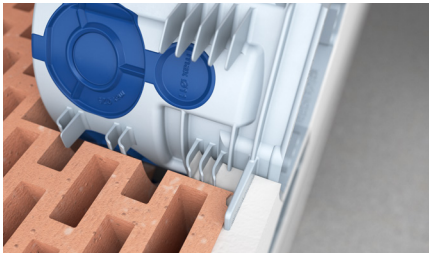
**NEW**

UP<sup>1</sup> signal cover Art. no. 1181-16

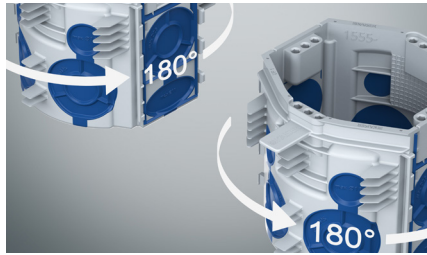
Flush-mounting gun foam Art. no. 1155-95



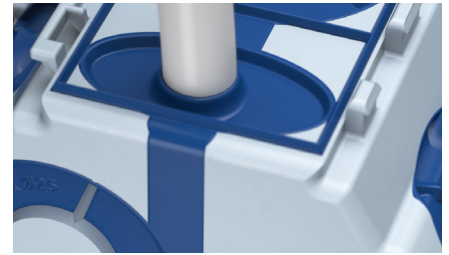
## UP<sup>1</sup> – the advantages at a glance



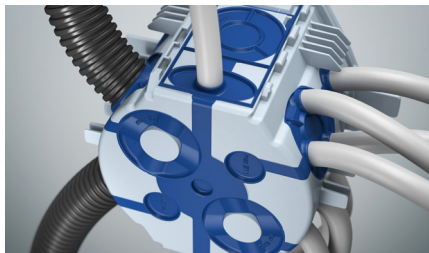
Fixing with ribs on several levels for secure fixation in all stones.



The safe KAISER combination - Place the boxes next to each other, no matter which way round, and press them together with a "click". Now you have a stable combination with 71 mm standardised distance.



Through-wiring and entries close to the base. The cables can be stowed directly on the base and take up little space.



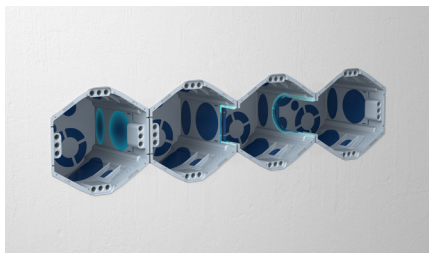
Electric cable / conduit diameters up to Ø 25 mm can be installed quickly and air-tight through the elastic ECON® Multi Membrane.



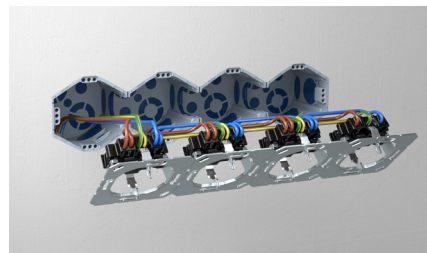
Slot guide - example for optimum fixing of the boxes.



The signal cover (Art. no. 1181-65) for the new UP<sup>1</sup> flush-mounting boxes protects the inside of the box and the screw domes during plastering.



Overlapping box diameters allow for a stable combination. Connecting devices can be implemented in many different ways.



Among other things, this makes it possible to insert the connecting cables of pre-wired devices such as sockets quickly and easily without having to connect them in the boxes first.

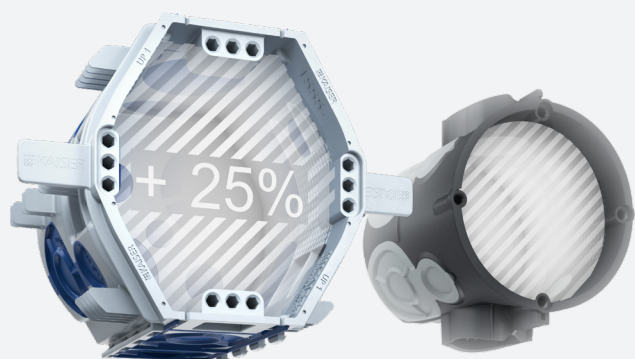


The stepless plaster compensation frame (Art. no. 1155-65) is used to compensate for deep-seated boxes.

## KAISER, partner of the trade.

UP<sup>1</sup>, the **new flush-mounting programme from KAISER** for the electrical trade, lifts the flush-mounting installation to a new level and facilitates it in an unprecedented way.

- 25 % more installation volume
- Quick fixing by means of ribs
- Stable and side-neutral combination
- For all common stones



# UP<sup>1</sup>



Features

### KAISER GmbH & Co. KG

Ramsloh 4 · 58579 Schalksmühle  
GERMANY

Tel. +49 (0) 23 55 / 809-0 · Fax +49 (0) 23 55 / 809-21  
[www.kaiser-elektro.de](http://www.kaiser-elektro.de) · [info@kaiser-elektro.de](mailto:info@kaiser-elektro.de)

**KAISER**  
Die Basis der guten Installation