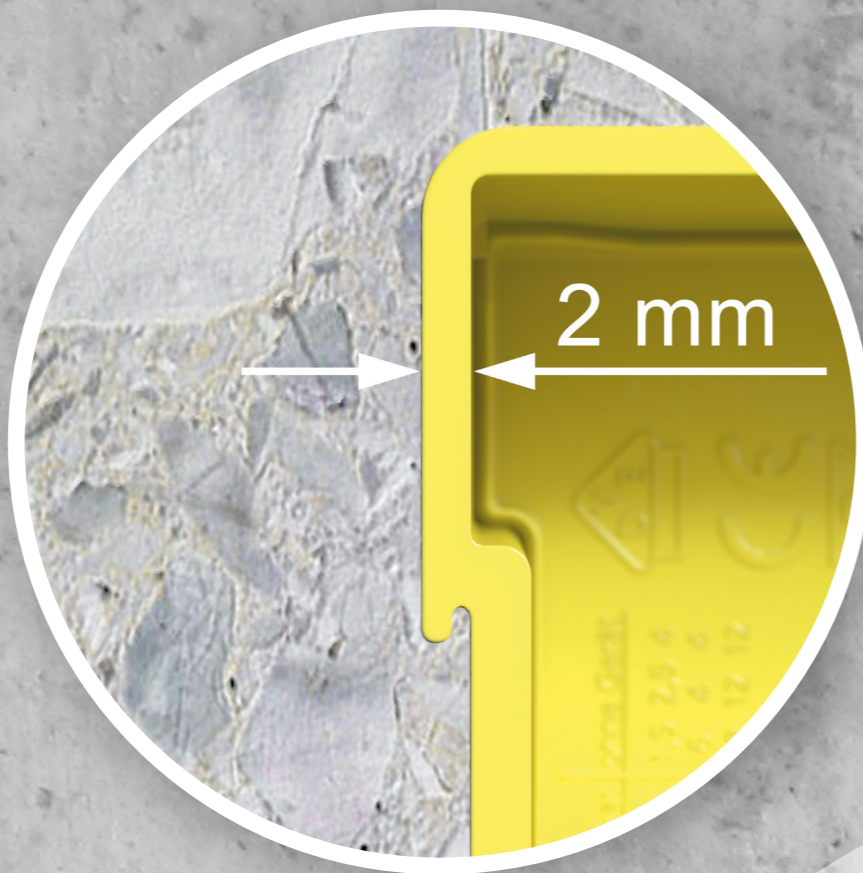


System Flat 45. MOUNTING

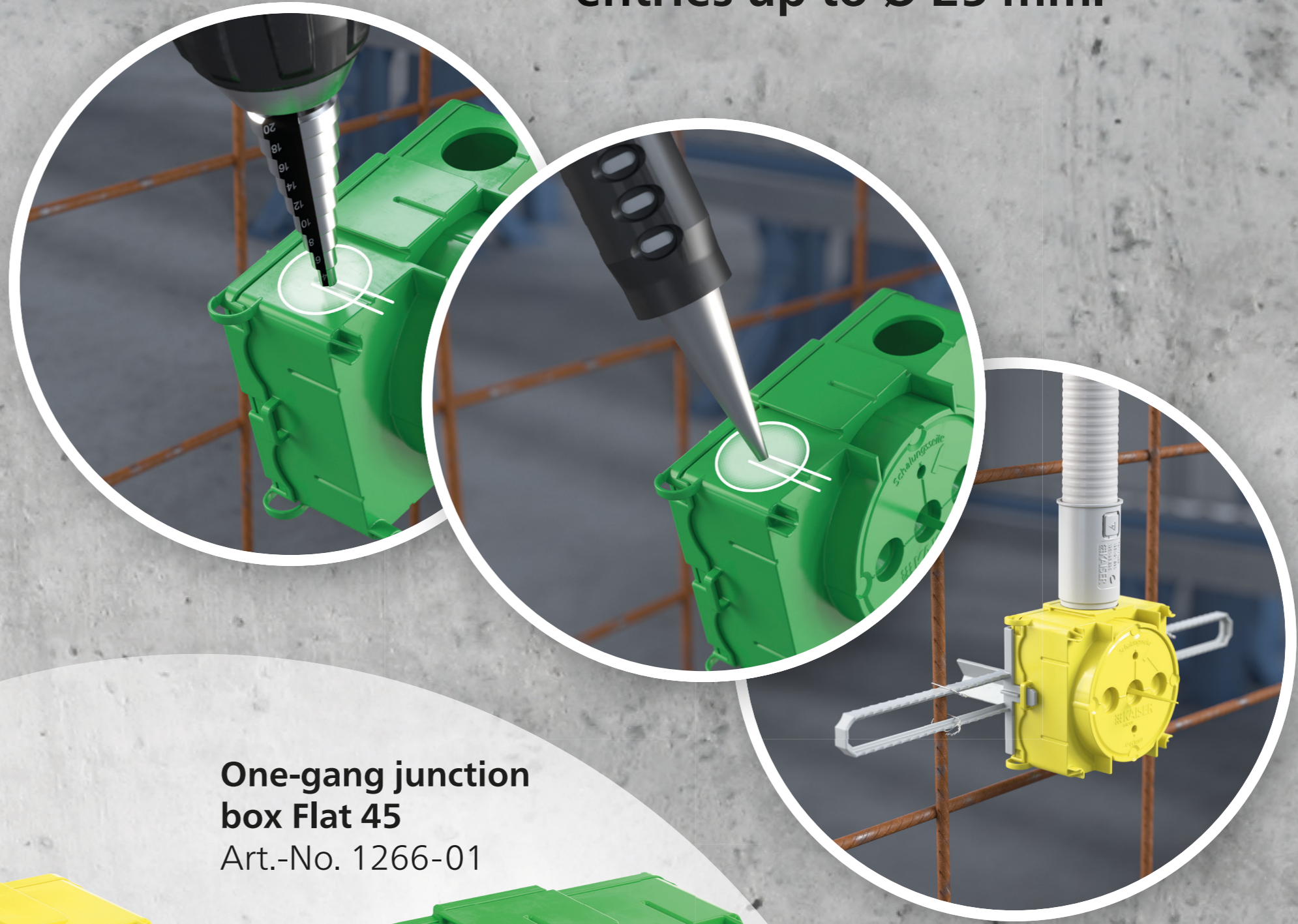


NEW

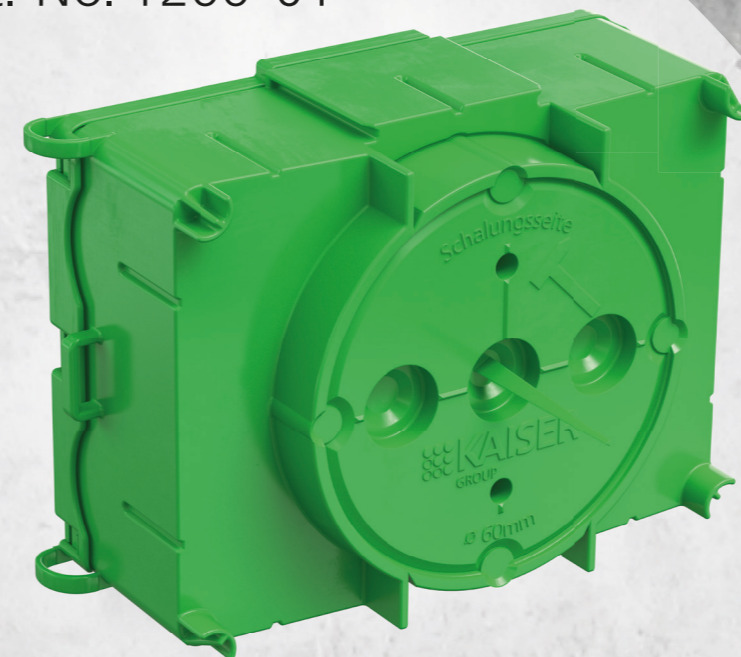
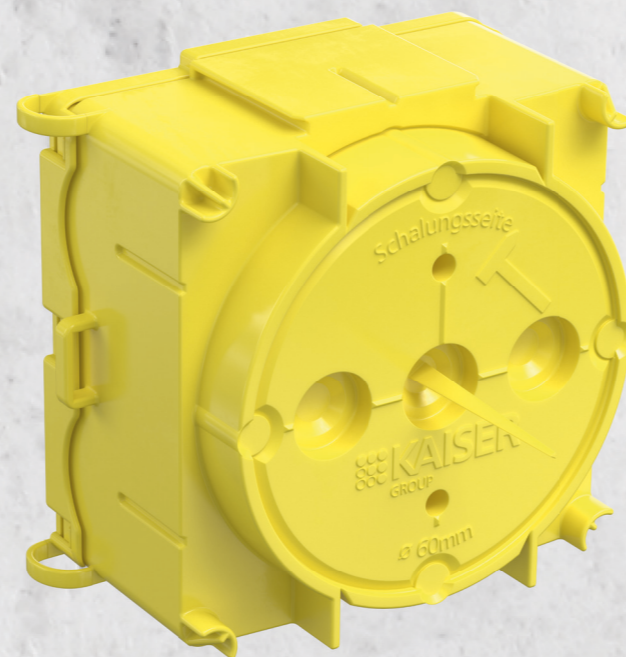
Robust article design
with 2 mm wall thickness.



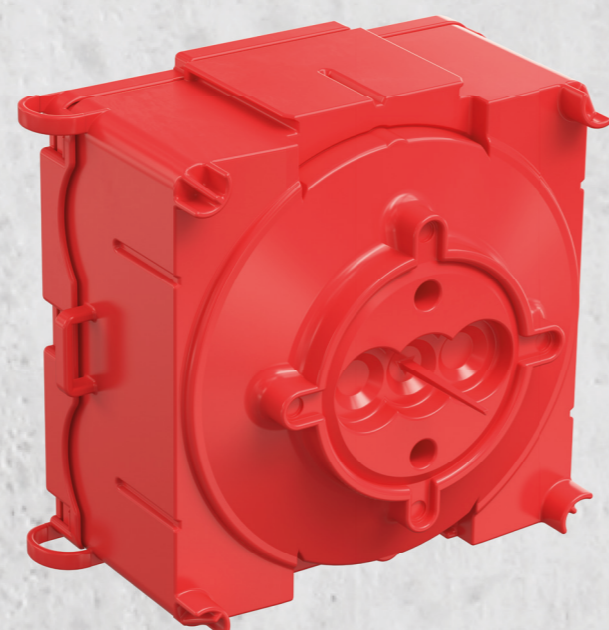
Individual cable or conduit
entries up to Ø 25 mm.



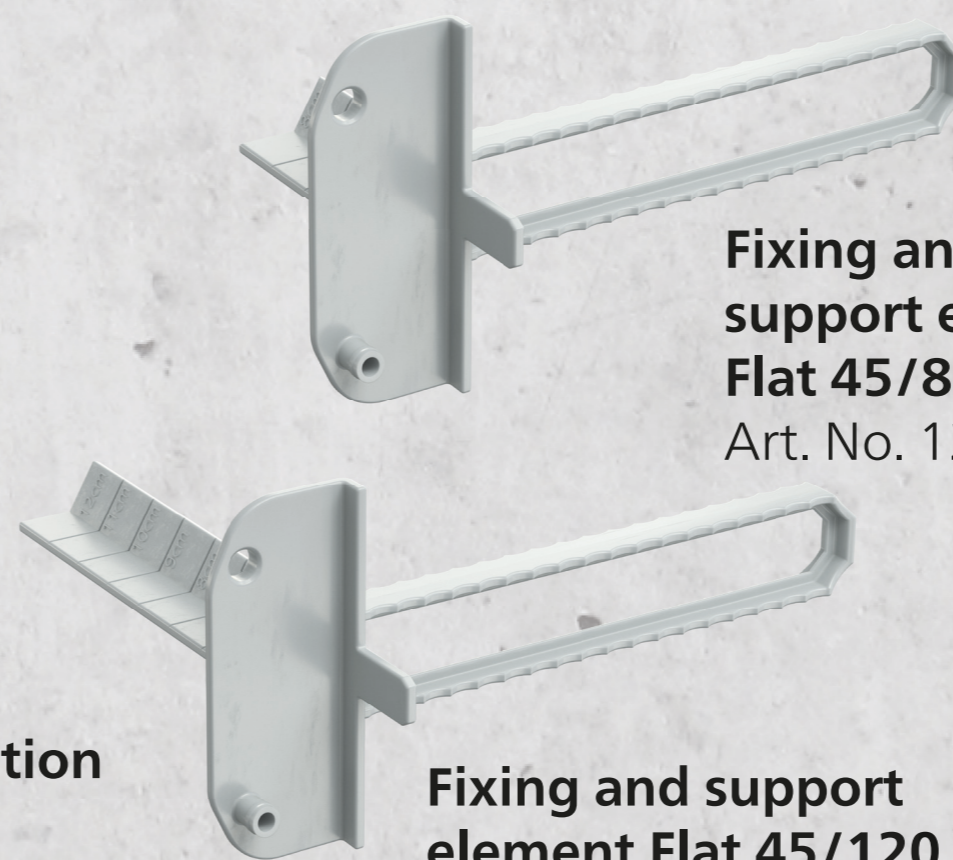
One-gang junction
box Flat 45
Art.-No. 1266-01



One-gang
box Flat 45
Art. No. 1256-01

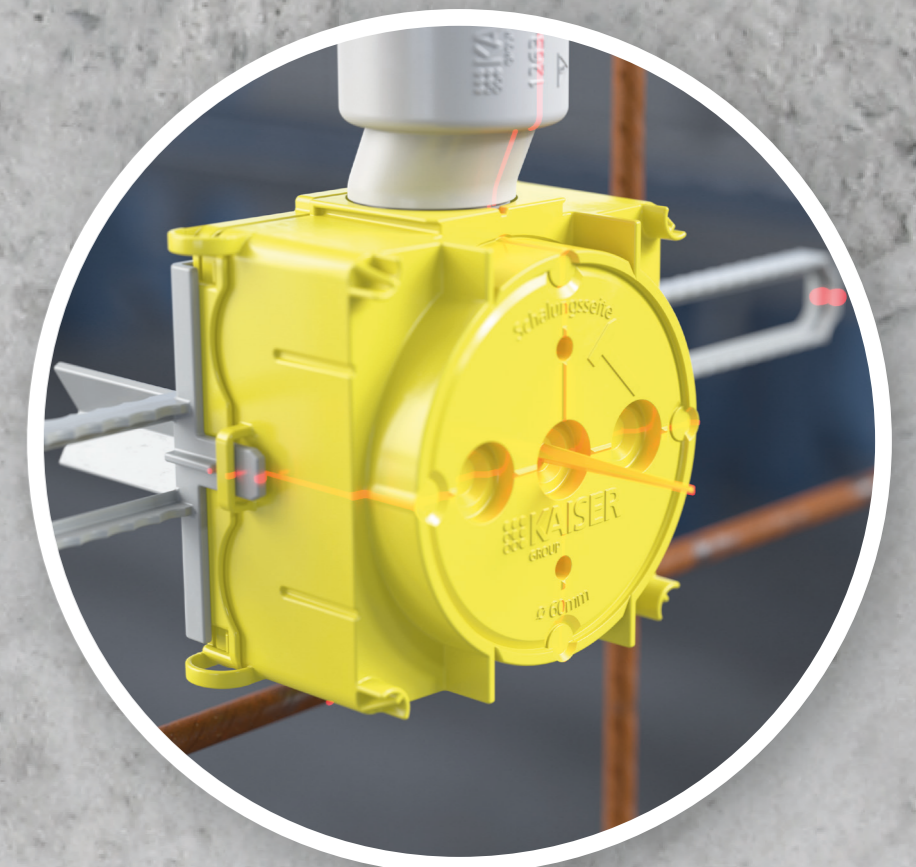


Wall light connection
box Flat 45
Art. No. 1246-01



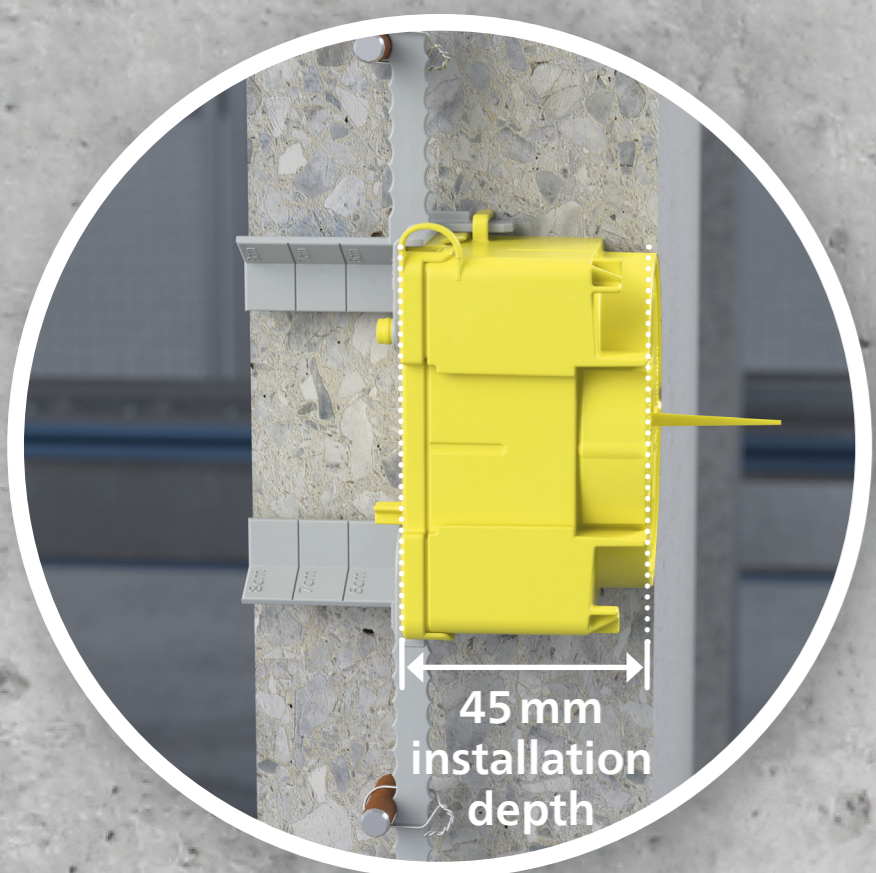
Fixing and
support element
Flat 45/80
Art. No. 1256-08

Fixing and support
element Flat 45/120
Art. No. 1256-12

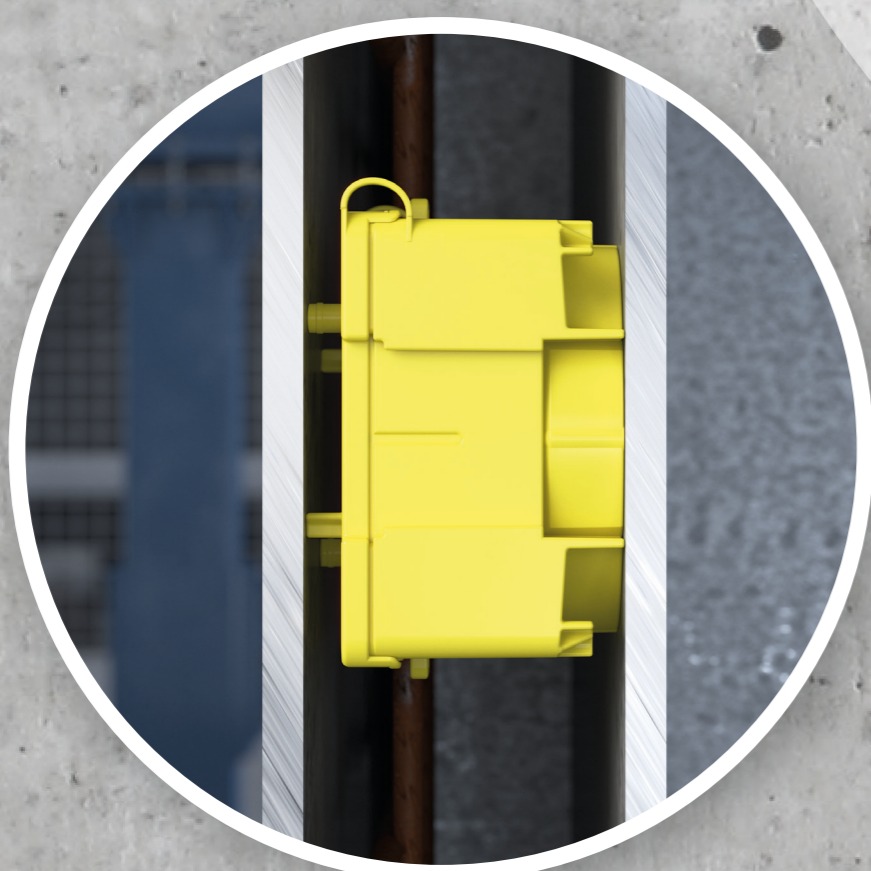


Centre marking for easy
alignment using laser
spirit level.

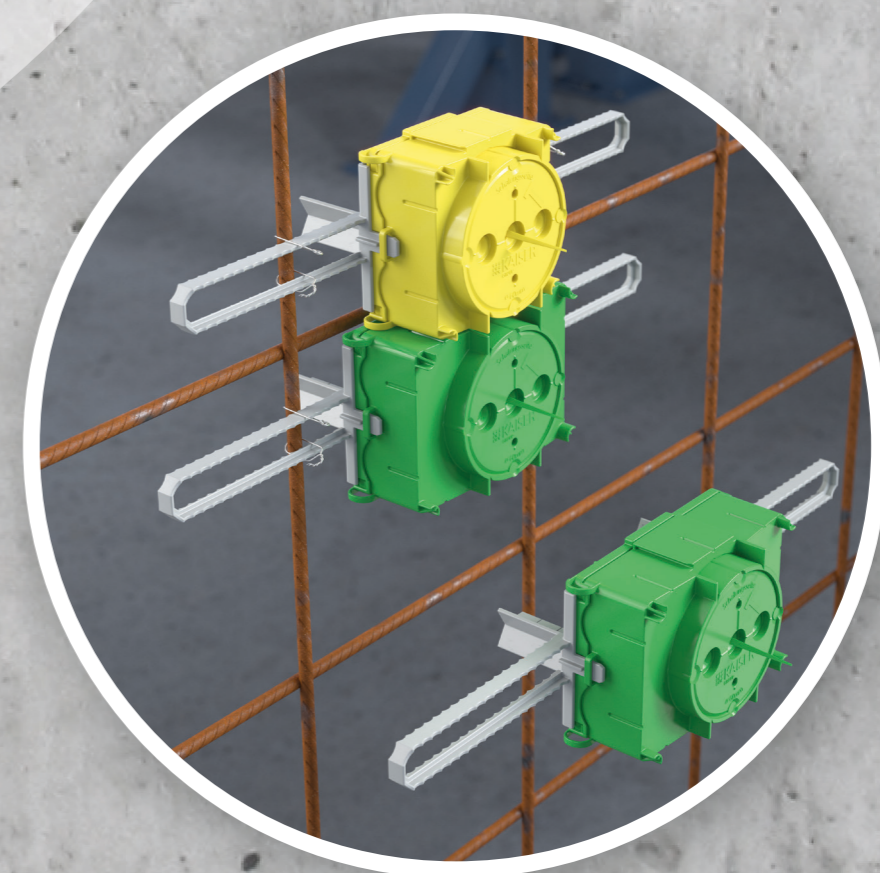
Uniform system installation
depth of 45 mm.



Secure position
maintenance with
counterpressure to
the formwork.



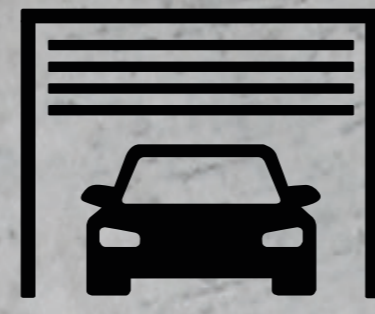
Stable signal bristle
and strong colouring
to make it easy
to find again.



Stable connection
with combinations.

System Flat 45.

MOUNTING | Prefabricated garage



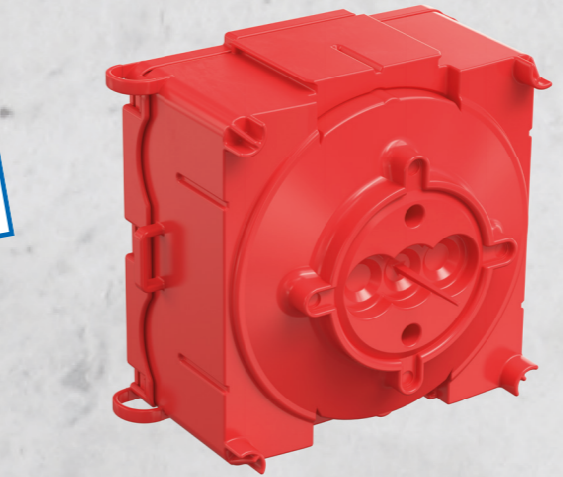
One-gang box Flat 45
Art. No. 1256-01



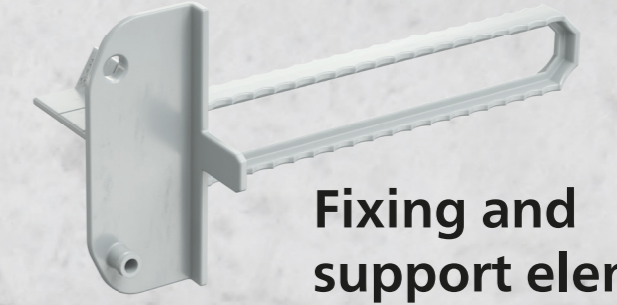
One-gang junction box Flat 45
Art. No. 1266-01



NEW



Wall light connection box Flat 45
Art. No. 1246-01

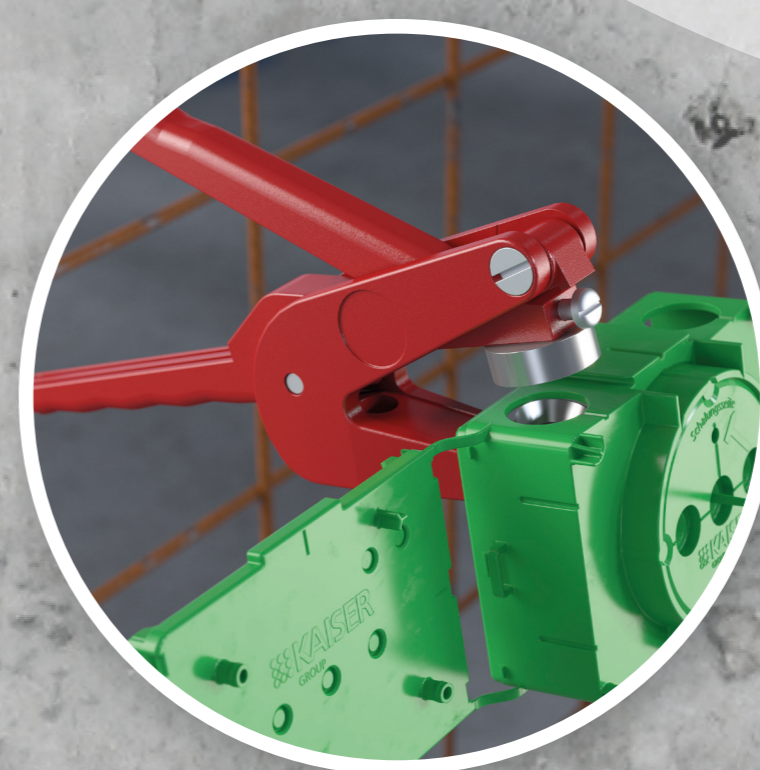
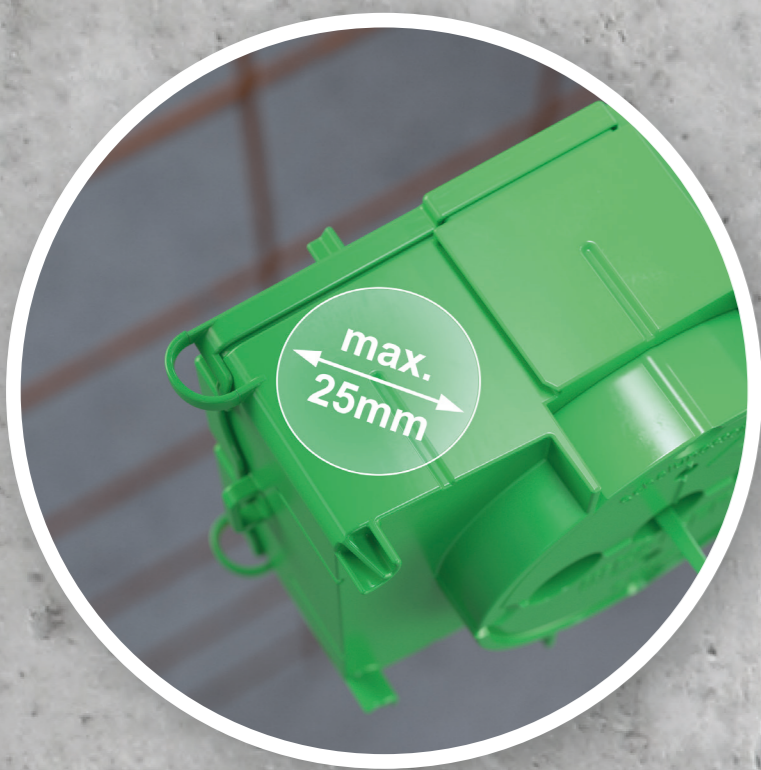


Fixing and support element Flat 45/80
Art. No. 1256-08

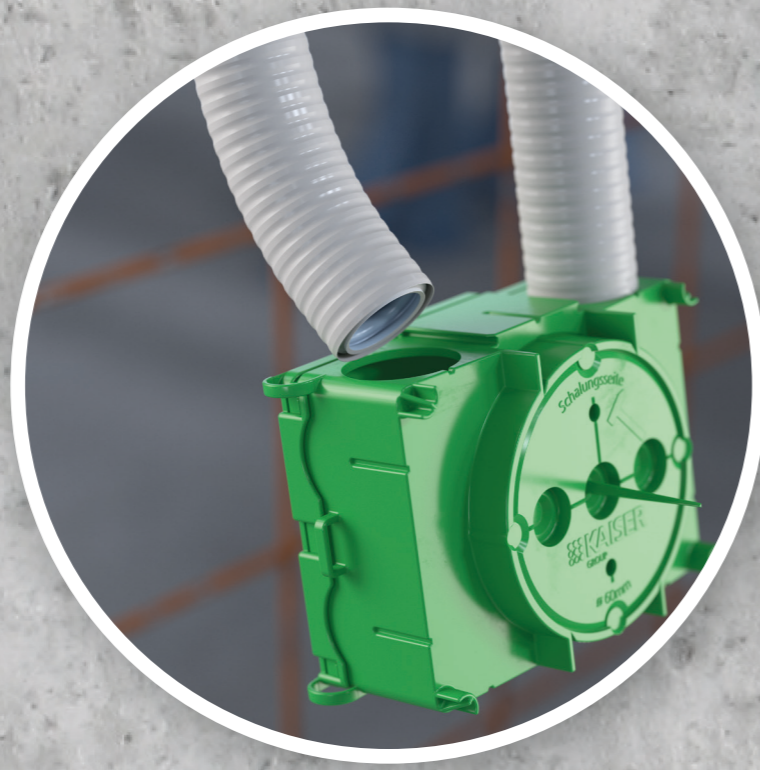
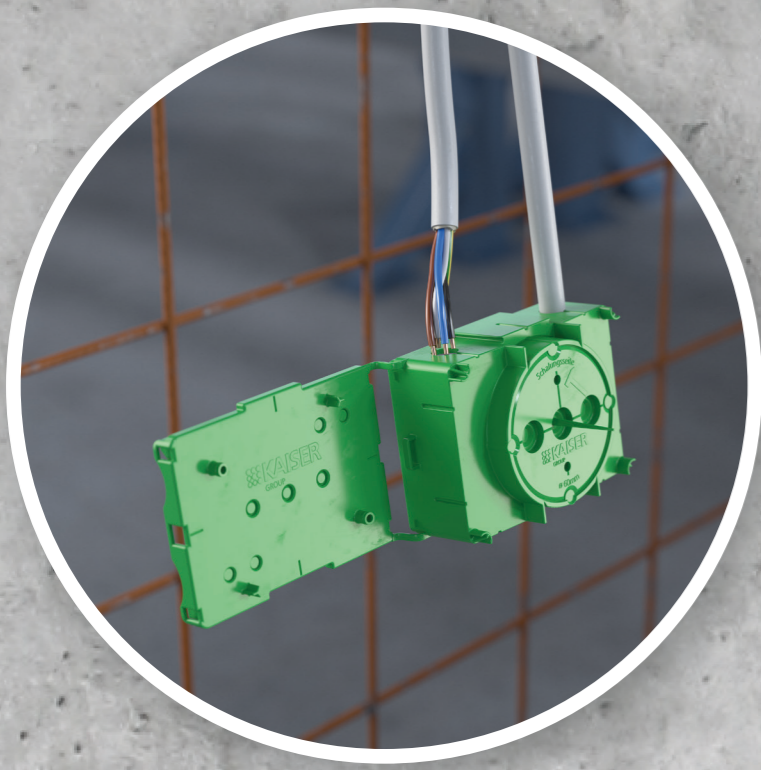


Fixing and support element Flat 45/120
Art. No. 1256-12

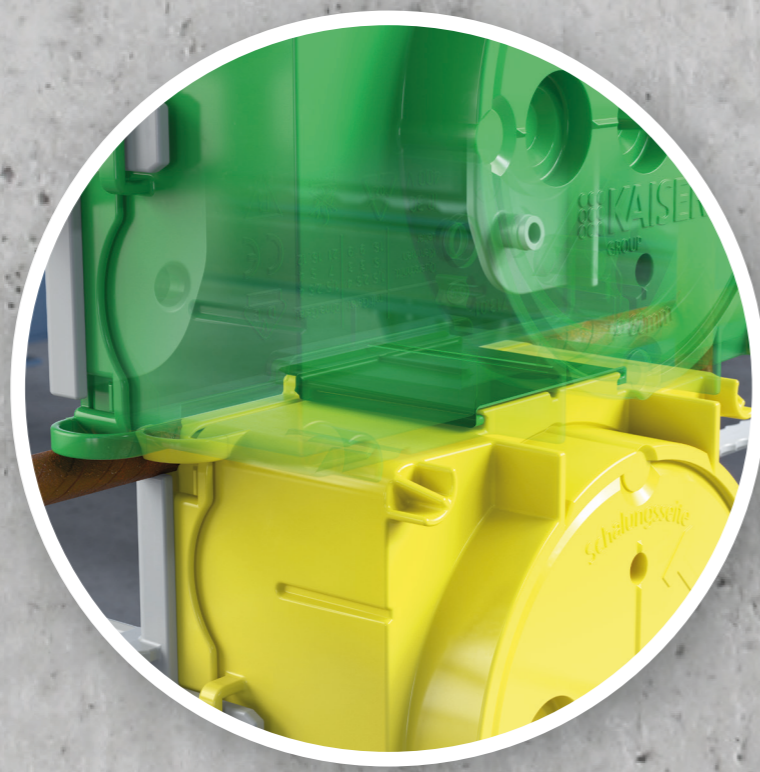
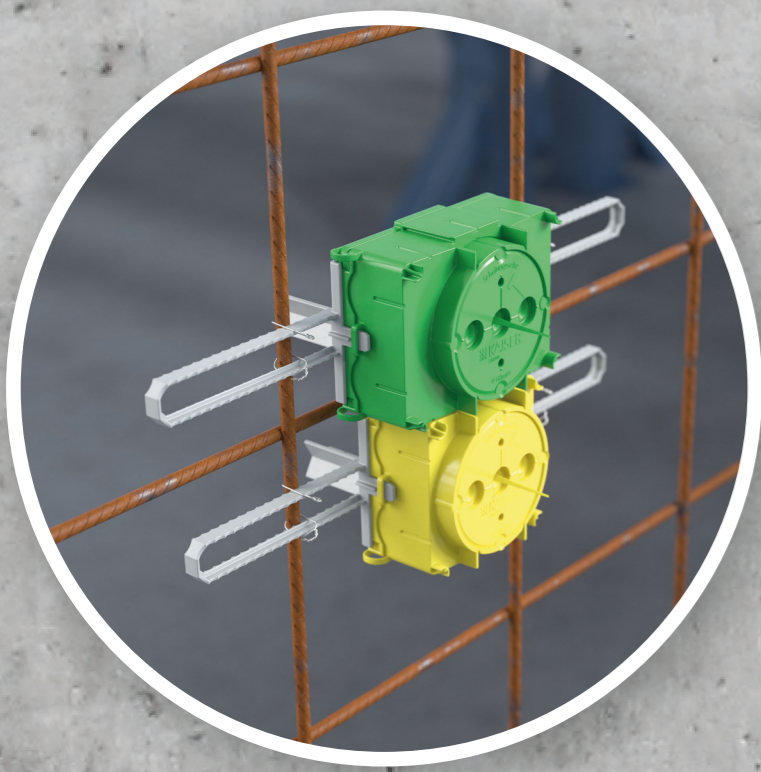
Individual creation of line or conduit entries.



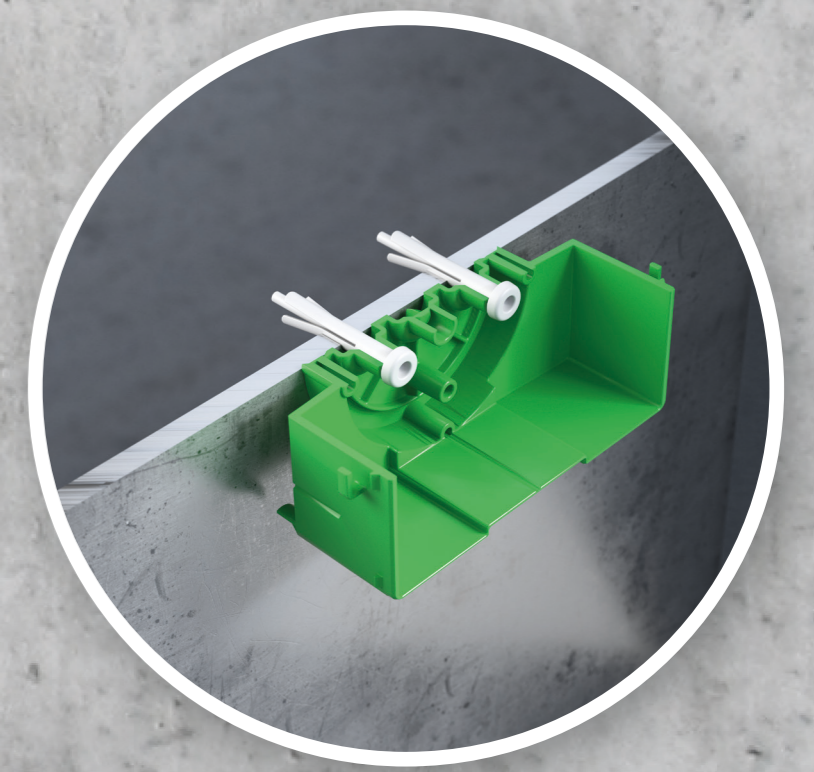
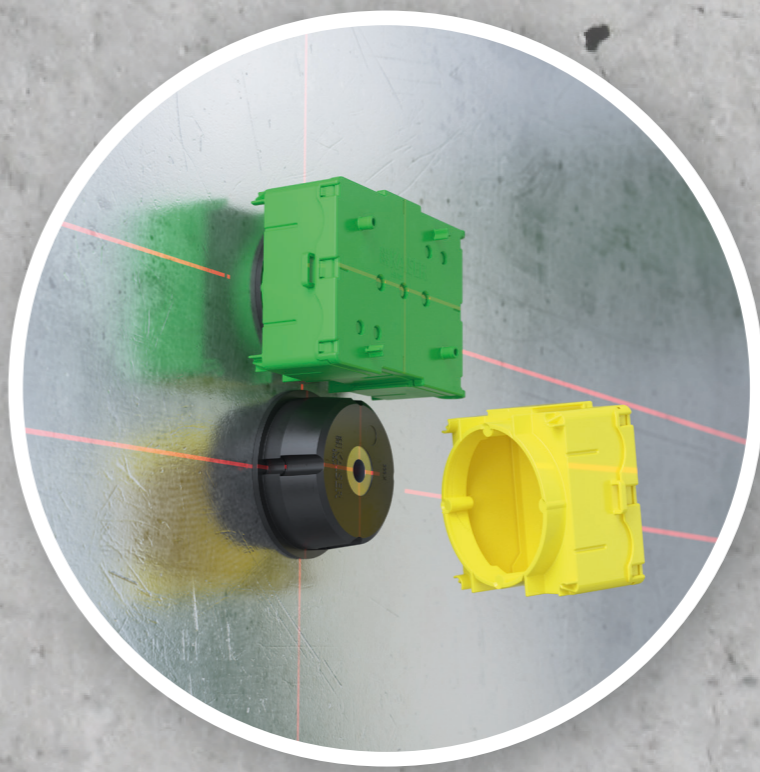
Line or conduit connection.



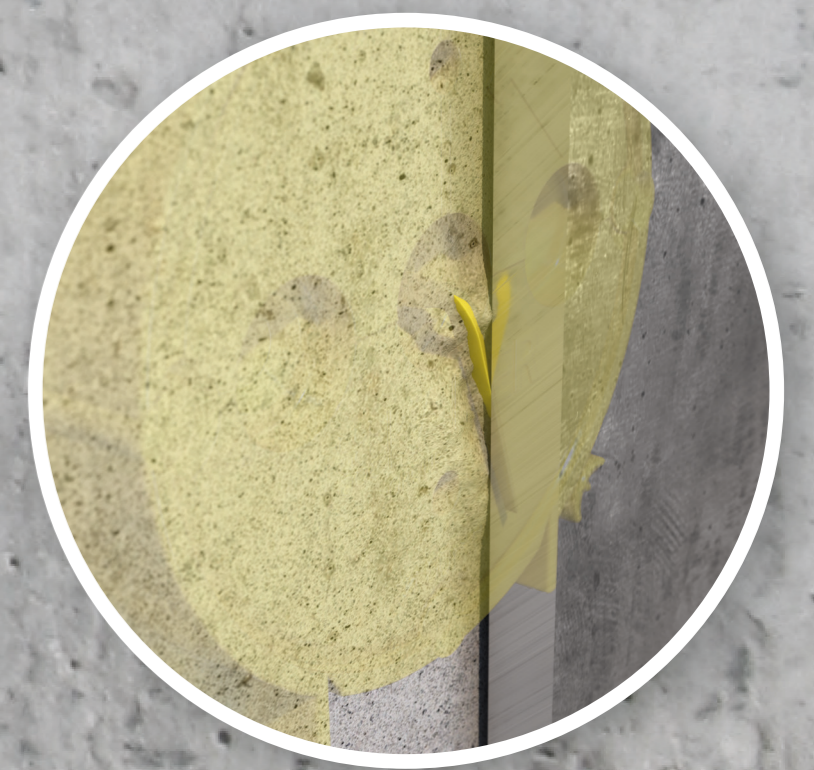
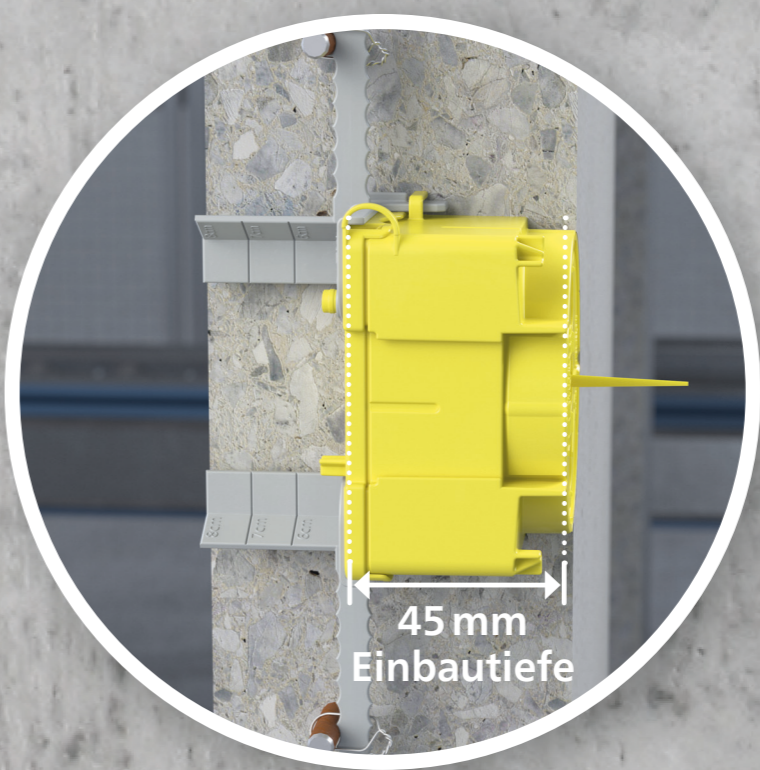
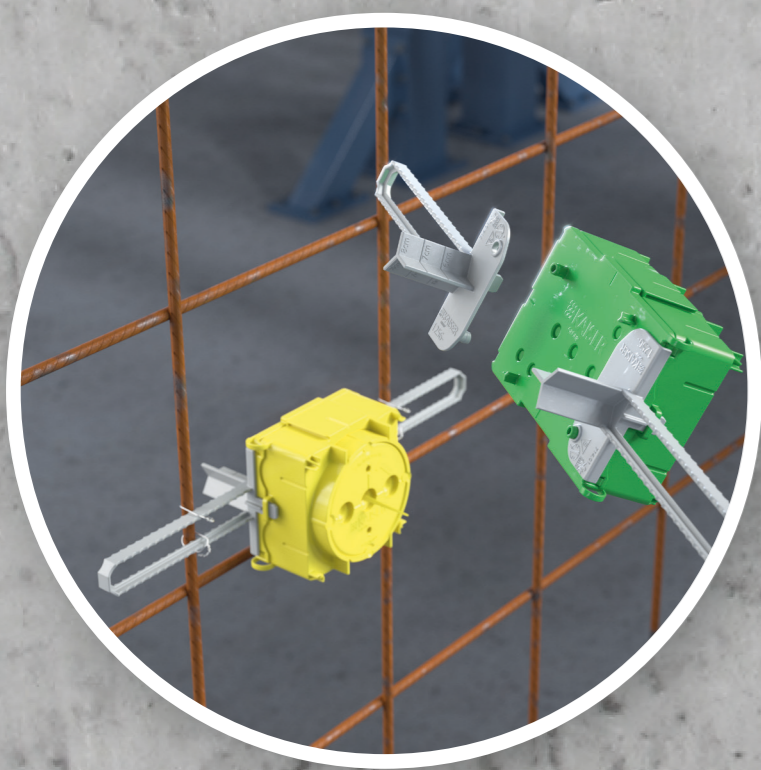
Combinations.



Fastening to the formwork.

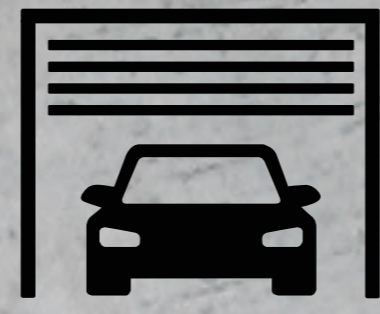


Fastening to the reinforcement with counterpressure.



System Flat 45.

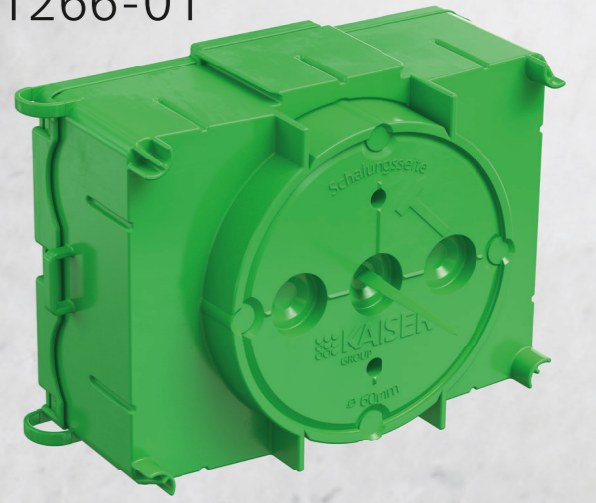
INSTALLATION | Prefabricated garage



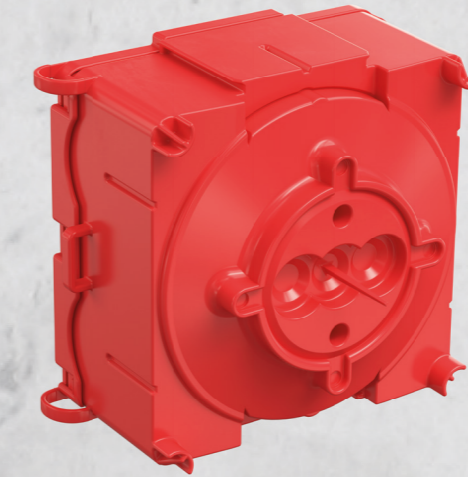
One-gang box Flat 45
Art. No. 1256-01



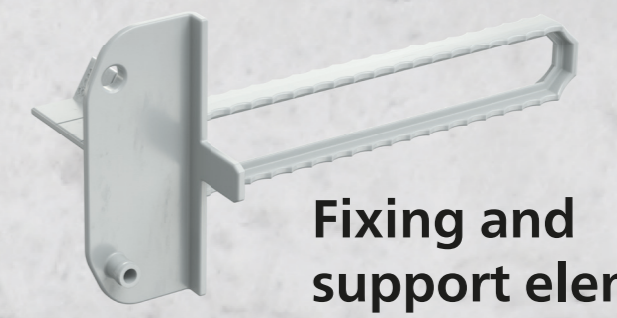
One-gang junction box Flat 45
Art. No. 1266-01



NEW



Wall light connection box Flat 45
Art. No. 1246-01

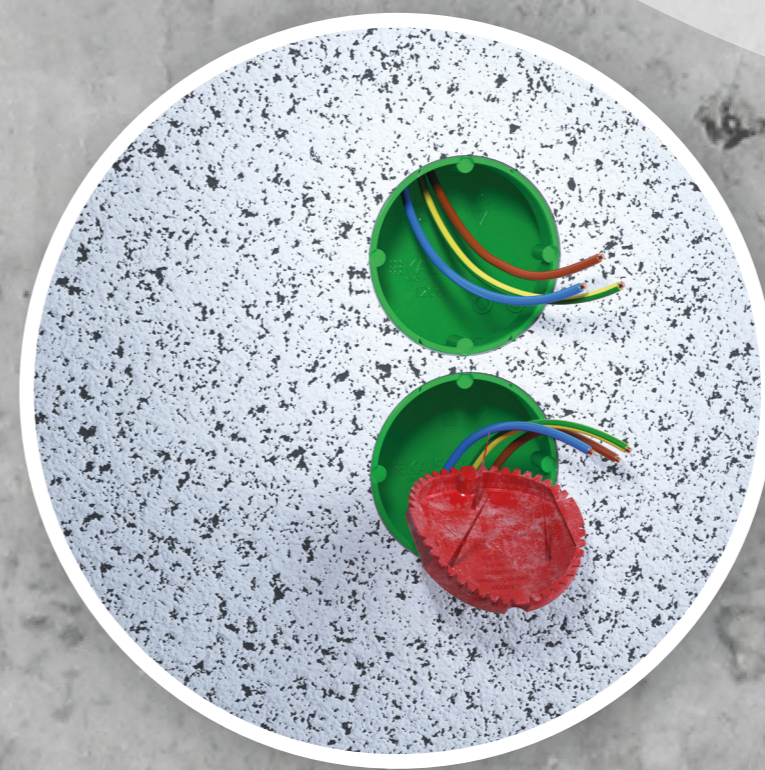
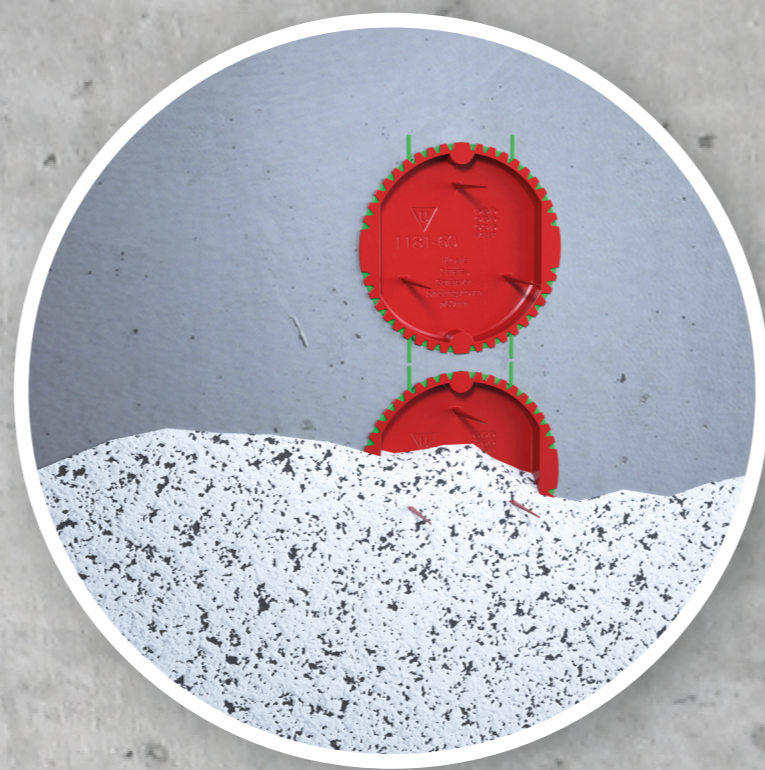


Fixing and support element Flat 45/80
Art. No. 1256-08

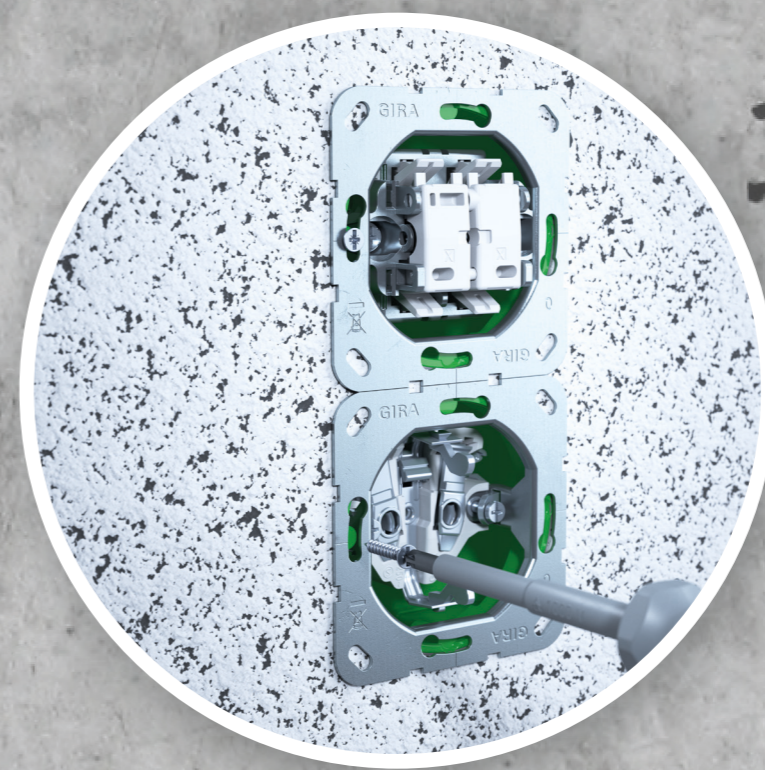
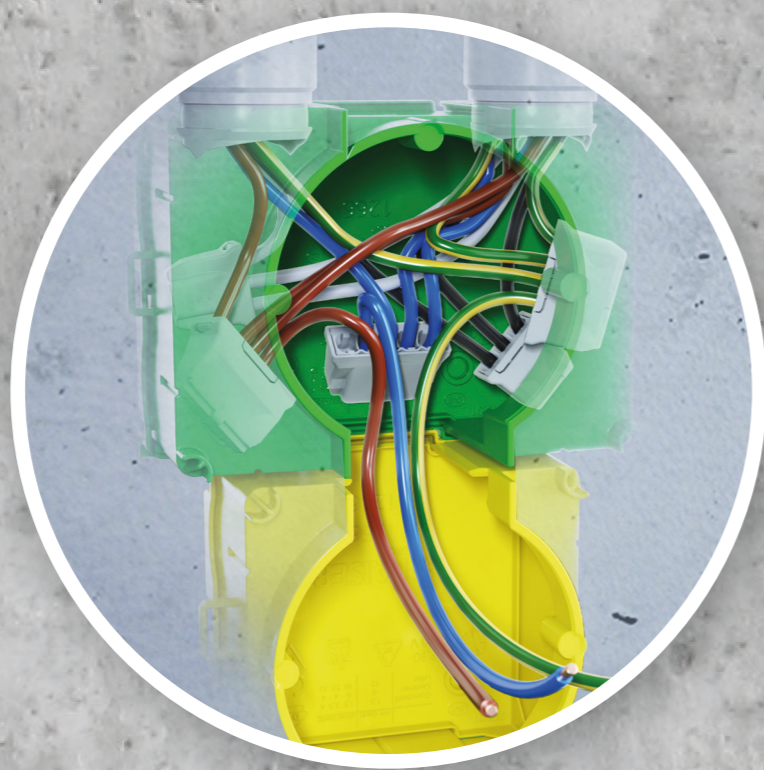


Fixing and support element Flat 45/120
Art. No. 1256-12

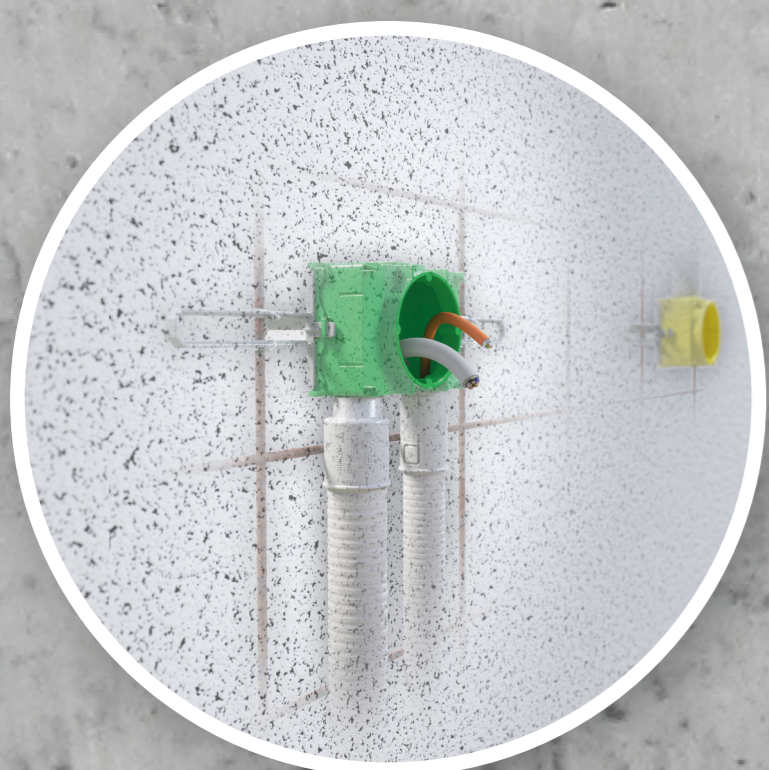
After formwork removal.



Electrical installation.



Wallbox connection box.



System Flat 45.



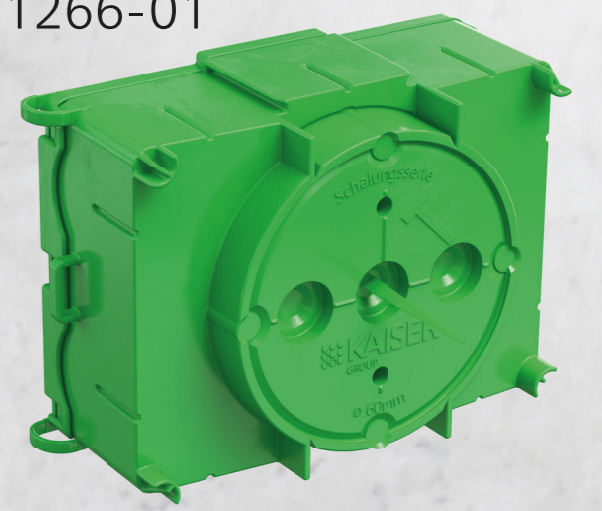
MOUNTING | PREFABRICATED BATHROOM

NEW

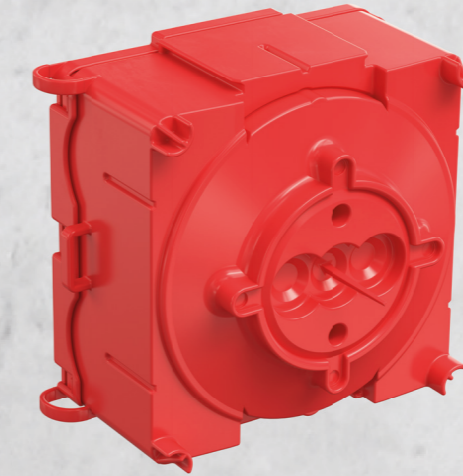
One-gang
box Flat 45
Art. No. 1256-01



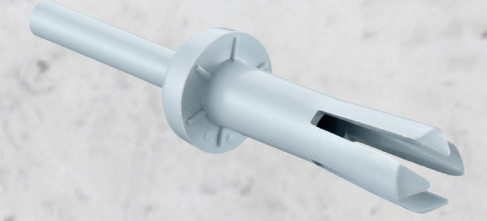
One-gang junction
box Flat 45
Art. No. 1266-01



Wall light connection
box Flat 45
Art. No. 1246-01



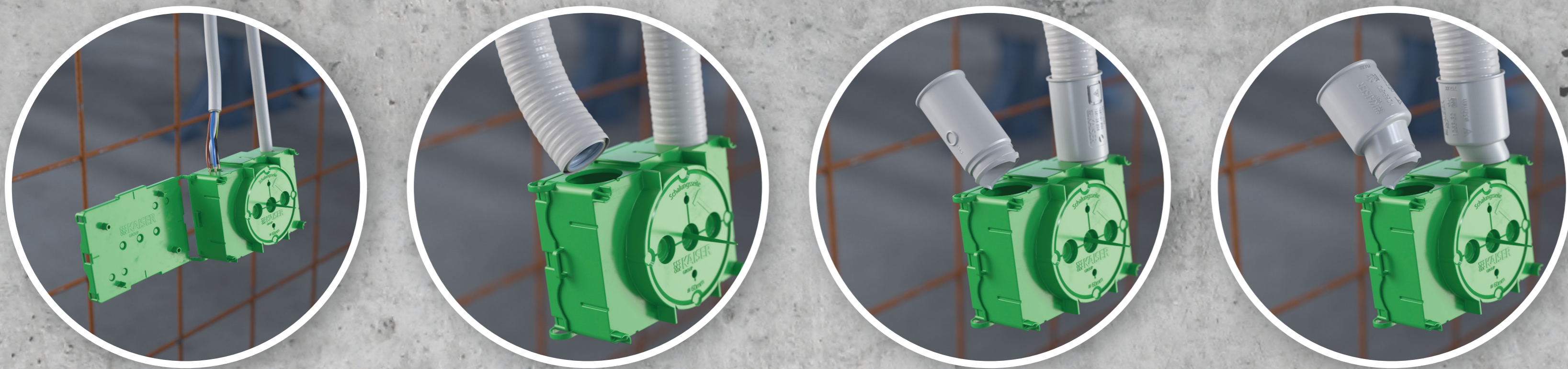
Expanding dowel
Art.-No. 1217-02



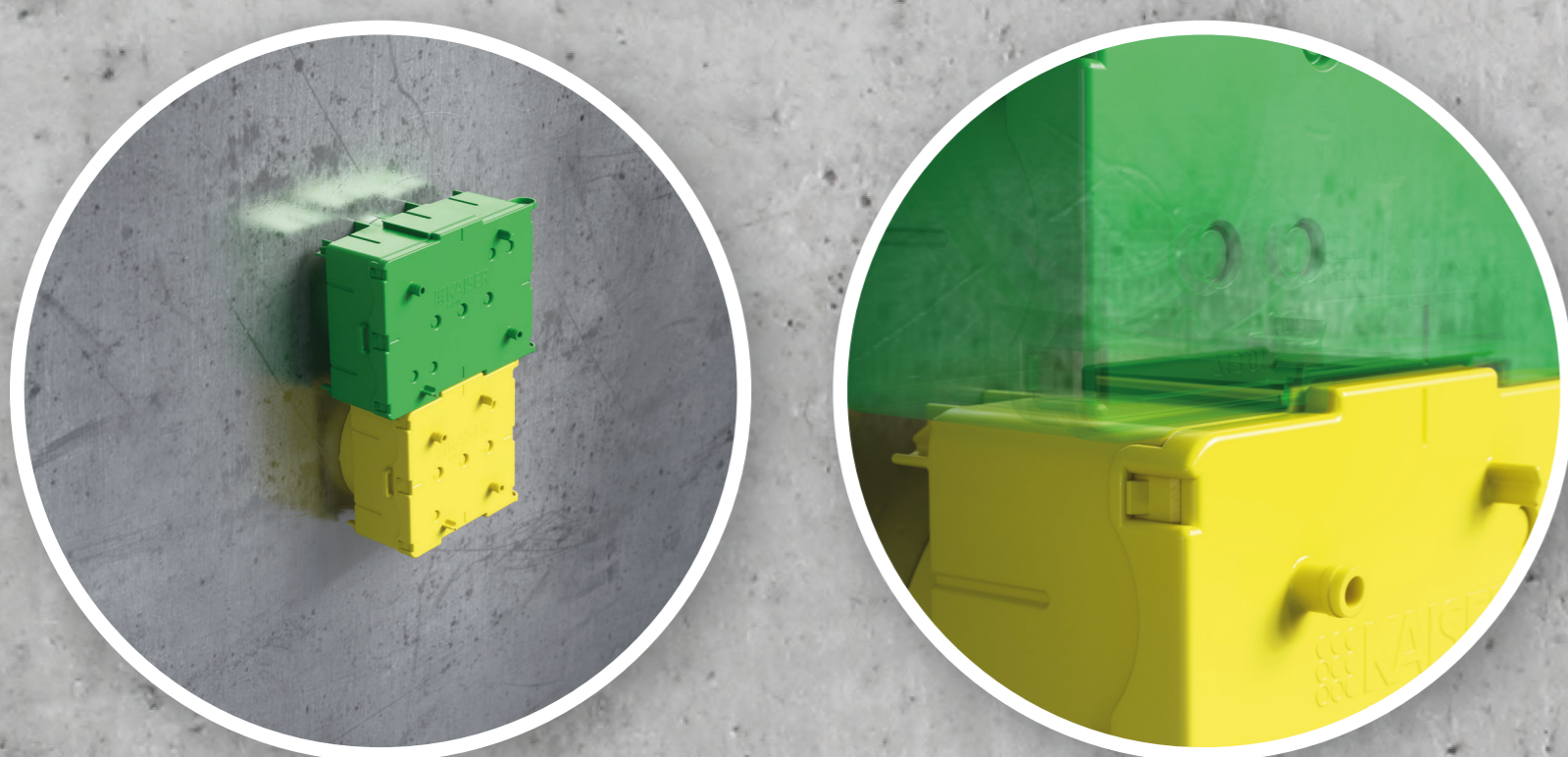
Individual creation of line or conduit entries.



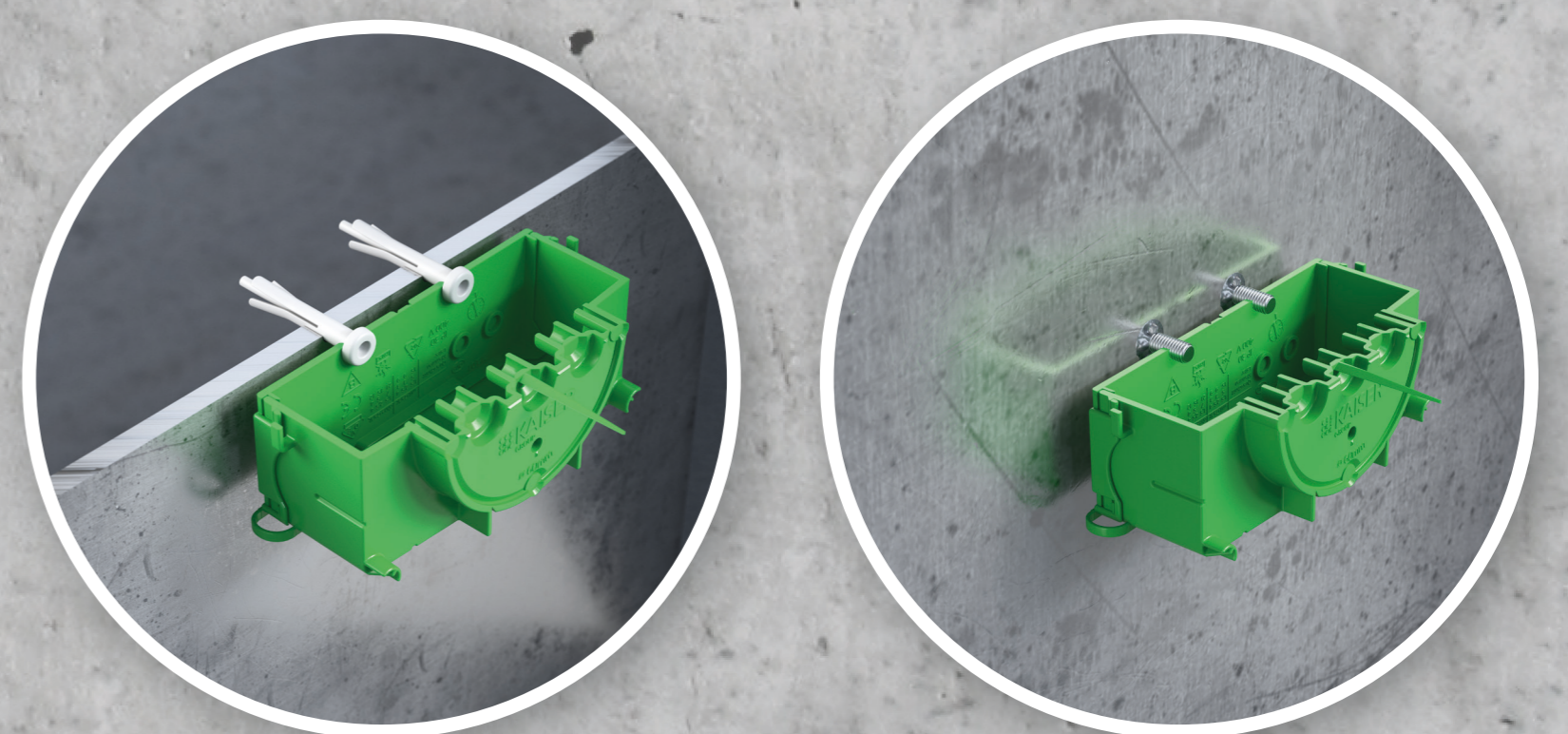
Line or conduit connection.



Combinations.



Fastening to the rear of the formwork.



Fastening to the front of the formwork.

