

O-range ECON[®] Data

The new standard for data and network installations



O-range ECON[®] Data

BOX SPECIALIST

 **KAISER**
The basis for good installation

The **box specialist** for communication technology

OPTIMAL

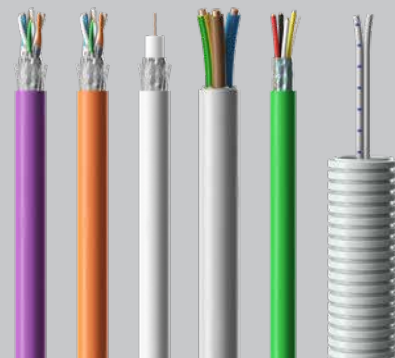
NEW

One-gang connection box for communication inserts, also suitable for 230V accessories.

Innovative cable entries prevent cable kinks because the cable reserve is fitted in the lightweight wall.

4 screw domes for maximum flexibility when fixing accessories.

O-range ECON® Data for network, coaxial, NYM and communication lines, or fibre optic cables laid in the conduit



PLOPP



The opening tab:
Toolless opening technology for defined opening of the conduit membrane – guaranteed permanently air-tight!



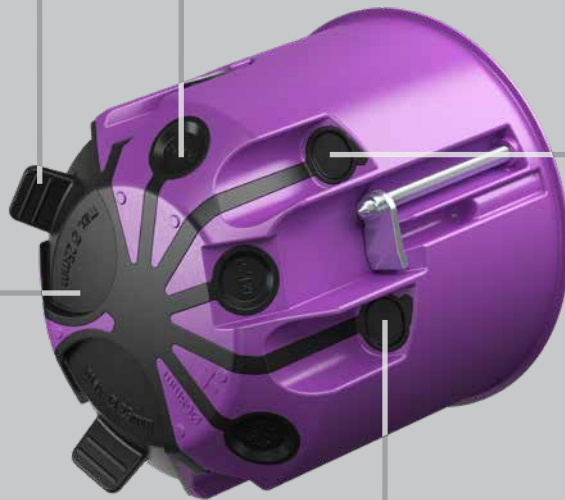
Integrated cable retention for the NYM cables acc. to DIN EN 60670



Perfect positioning of the cable entries for communication cables



2 conduit entries for Ø 20/25 mm installation conduits



Combinable with all applications in the O-range® series



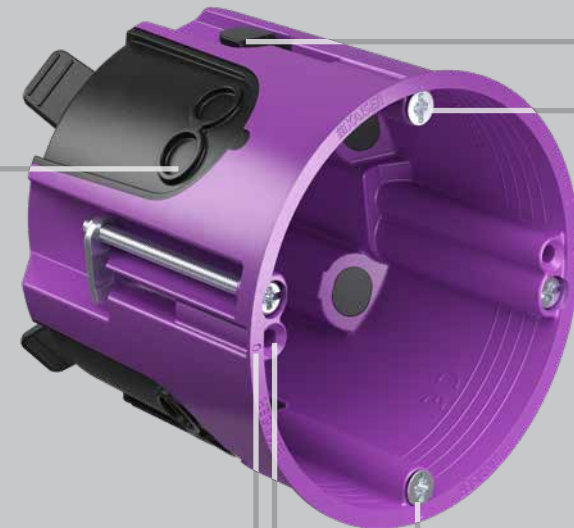
2 easy-to-use cable entries for connecting Keystone modules



Multidirectional combinability for 2-way to 5-way combinations



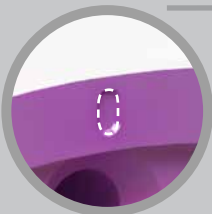
4 innovative cable entries for connecting network connection boxes



Device screws:
With +/- head!



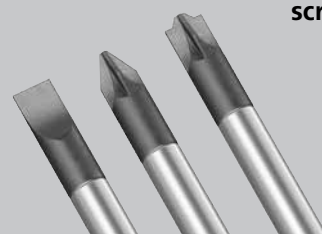
You can use any screwdriver!



Centreline marking for optimal alignment of the box in the installation opening



4 screw domes for maximum flexibility when fixing accessories





| Article | O-range ECON® Data accessory connection box | O-range ECON® Data accessory connection box (halogen-free) | Support connector | Support connector (halogen-free) |
|--|---|--|-------------------|----------------------------------|
| For panel thickness | 7–40 mm | 7–40 mm | | |
| Depth | 74 mm | 74 mm | | |
| Cut hole Ø | 68 mm | 68 mm | | |
| Conduit entries up to Ø 25 mm | 2 | 2 | | |
| Cable entries 3 x 2.5 mm² or 5 x 1.5 mm² | 1 | 1 | | |
| Cable entries 3 x 1.5 mm² | 2 | 2 | | |
| Cable entries for communication cables | 6 | 6 | | |
| Halogen-free | – | • | – | • |
| Air-tight | • | • | • | • |
| VDE / ÖVE | • / • | • / • | | |
| Art. No. | 9280-22 | 9280-78 | 9060-98 | 9060-78 |
| Inner packaging/shipping | 10 / 100 | 10 / 100 | 25 / 100 | 25 / 100 |

O-range ECON® Data one-gang connection box

- For network, coaxial, NYM and communication lines, or fibre optic cables fed through the conduit
- 4 screw domes
- Air-tight version with sealing membranes
- Toolless cable and conduit entries
- Integrated cable retention of the NYM cables, self-locking of the communication cables and conduits
- Combinable with all applications in the O-range® series

Additional articles in the O-range ECON® product family:



Additional articles in the O-range® family:



The right tools:



The right accessories:



* also available as halogen-free



Product film



O-range®
The new cavity wall box!

KAISER GmbH & Co. KG

Ramsloh 4 · 58579 Schalksmühle
GERMANY

Tel. +49(0)2355.809.0 · Fax +49(0)2355.809.21

www.kaiser-elektro.de · info@kaiser-elektro.de

KAISER
The basis for good installation